

EXPEDITION *ESCAPE+*

Owner's Manual



SAMSON®

Important Safety Information



**AVIS
RISQUE DE CHOC ÉLECTRONIQUE -
NE PAS OUVRIR**



This lightning flash with arrowhead symbol within an equilateral triangle is intended to alert the user to the presence of non-insulated “dangerous voltage” within the product’s enclosure that may be of sufficient magnitude to constitute a risk of electric shock.



The exclamation point within an equilateral triangle is intended to alert the user to the presence of important operating and maintenance instructions in the literature accompanying the appliance.

WARNING: TO REDUCE THE RISK OF ELECTRIC SHOCK, DO NOT REMOVE COVER (OR BACK) AS THERE ARE NO USER-SERVICEABLE PARTS INSIDE. REFER SERVICING TO QUALIFIED SERVICE PERSONNEL.



If you want to dispose this product, do not mix it with general household waste. There is a separate collection system for used electronic products in accordance with legislation that requires proper treatment, recovery and recycling.

Private household in the 28 member states of the EU, in Switzerland and Norway may return their used electronic products free of charge to designated collection facilities or to a retailer (if you purchase a similar new one).

For Countries not mentioned above, please contact your local authorities for a correct method of disposal.

By doing so you will ensure that your disposed product undergoes the necessary treatment, recovery and recycling and thus prevent potential negative effects on the environment and human health.

Copyright 2019, V4.2
Samson Technologies Corp.
278-B Duffy Ave
Hicksville, New York 11801
www.samsontech.com

The *Bluetooth*® word mark and logos are registered trademarks owned by Bluetooth SIG, Inc. and any use of such marks by Samson Technologies is under license. Other trademarks and trade names are those of their respective owners.”

Important Safety Information

1. Read these instructions.
2. Keep these instructions.
3. Heed all warnings.
4. Follow all instructions.
5. Do not use this apparatus near water.
6. Clean only with dry cloth.
7. Do not block any ventilation openings. Install in accordance with the manufacturer's instructions.
8. Do not install near any heat sources such as radiators, heat registers, stoves, or other apparatus (including amplifiers) that produce heat.
9. Do not defeat the safety purpose of the polarized or grounding type plug. A polarized plug has two blades with one wider than the other. A grounding type plug has two blades and a third grounding prong. The wide blade or the third prong are provided for your safety. If the provided plug does not fit into your outlet, consult an electrician for replacement of the obsolete outlet.
10. Protect the power cord from being walked on or pinched particularly at the plugs, convenience receptacles, and at the point where they exit from the apparatus.
11. Only use attachments/accessories specified by the manufacturer.
12. Use only with the cart, stand, tripod, bracket, or table specified by the manufacturer, or sold with the apparatus. When a cart is used, use caution when moving the cart/apparatus combination to avoid injury from tip-over.
13. Unplug the apparatus during lightening storms or when unused for long periods of time.
14. Refer all servicing to qualified personnel. Service is required when the apparatus has been damaged in any way, such as power supply cord or plug is damaged, liquid has been spilled or objects have fallen into the apparatus has been exposed to rain or moisture, does not operate normally, or has been dropped.
15. This appliance shall not be exposed to dripping or splashing water and that no object filled with liquid such as vases shall be placed on the apparatus.
16. Caution-to prevent electrical shock, match wide blade plug wide slot fully insert.
17. Please keep a good ventilation environment around the entire unit.
18. To prevent injury, this apparatus must be securely attached to the stand in accordance with the installation instructions.
19. **WARNING:** The battery (battery or batteries or battery pack) shall not be exposed to excessive heat such as sunshine, fire or the like.
20. **CAUTION:** Danger of explosion if battery is incorrectly replaced. Replace only with the same or equivalent type.
21. **WARNING:** The mains plug/appliance coupler is used as disconnect device, the disconnect device shall remain readily operable.
22. Battery disposal should be drawn to environmental aspects and should be according to local law requirements.
23. No naked flame sources, such as lighted candles, should be placed on the apparatus.



Important Safety Information

FCC Notice

1. This device complies with Part 15 of the FCC Rules. Operation is subject to the following two conditions:
 - (1) This device may not cause harmful interference.
 - (2) This device must accept any interference received, including interference that may cause undesired operation.
2. Changes or modifications not expressly approved by the party responsible for compliance could void the user's authority to operate the equipment.

FCC Statement

This equipment has been tested and found to comply with the limits for a Class B digital device, pursuant to Part 15 of the FCC Rules. These limits are designed to provide reasonable protection against harmful interference in a residential installation.

This equipment generates uses and can radiate radio frequency energy and, if not installed and used in accordance with the instructions, may cause harmful interference to radio communications. However, there is no guarantee that interference will not occur in a particular installation. If this equipment does cause harmful interference to radio or television reception, which can be determined by turning the equipment off and on, the user is encouraged to try to correct the interference by one or more of the following measures:

- Reorient or relocate the receiving antenna.
- Increase the separation between the equipment and receiver.
- Connect the equipment into an outlet on a circuit different from that to which the receiver is connected.
- Consult the dealer or an experienced radio/TV technician for help.

RF Warning Statement

The device has been evaluated to meet general RF exposure requirement. The device can be used in portable exposure condition without restriction.

This device complies with RSS-310 of Industry Canada. Operation is subject to the condition that this device does not cause harmful interference.

Hereby, Samson Technologies Corp., declares that this Expedition Escape+ is in compliance with the essential requirements and other relevant provisions of Directive 2014/53/EU. The declaration of conformity may be consulted at:

http://www.samsontech.com/site_media/support/manuals/Expedition_Escape_Plus_DOC.pdf

Introduction

Thank you for purchasing the Expedition Escape+ battery-powered portable sound system, featuring wireless *Bluetooth*[®] connectivity, to stream audio from your smart phone, tablet, or computer.

Lightweight and compact, the Expedition Escape+ weighs less than 10 lb making it an excellent complement to any mobile speaker situation. The internal battery provides up to 20 hours of audio on a full charge. The Expedition Escape+ can be plugged in to an outlet for continuous audio.

Whether you are looking for a sound system for use outdoors, in the classroom, for karaoke, for presentations, or performing live music, the Expedition Escape+ provides high quality, portable audio in a small self-powered package.

We recommend you keep the following records for reference, as well as a copy of your sales receipt.

Serial number: _____

Date of purchase: _____

If you have any questions or comments regarding the Escape+ Portable PA System or any other products from Samson, do not hesitate to contact us at support@samsontech.com.

With proper care and maintenance, your Escape+ Portable PA System will operate trouble-free for many years. Should your Escape+ Portable PA System ever require servicing, a Return Authorization (RA) number must be obtained before shipping your unit to Samson. Without this number, the unit will not be accepted. Please visit www.samsontech.com/ra for an RA number prior to shipping your unit. Please retain the original packing materials and, if possible, return the unit in its original carton. If your Escape+ Portable PA System was purchased outside of the United States, contact your local distributor.

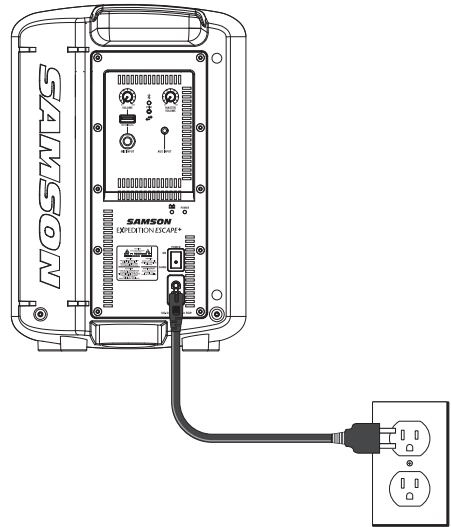
Charging the Battery

The Escape+ has an internal, rechargeable battery capable of up to 20 hours of continuous audio on a full charge.

Even though the system may have some charge when first taken out of the box, it is recommended to fully charge your Escape+ before first using the system.

To charge the battery:

- Set the power switch to the “OFF” position.
- Connect the Expedition Escape+ to an AC power outlet using the included power adapter.
- Keep the system plugged in until the Power Supply indicator turns off, indicating the battery is fully charged.



If you find that the operation time of the Escape+ becomes noticeably decreased, even after fully charging, the battery should be replaced. Contact Samson customer service or your local distributor for a replacement battery.



The Escape+ utilizes a sealed lead-acid gel cell battery. When not in use, the battery will slowly self-discharge. If you are planning not to use the Escape+ for a long period of time, it is advised to fully charge the unit before storing.

It is also important to charge the unit every six months when not used. This will ensure a healthy battery and extend its life. If the battery is left with a very low charge for an extended period of time, it is possible to recharge the battery to working condition, but the charge time can take up to 72 hours.

Quick Start

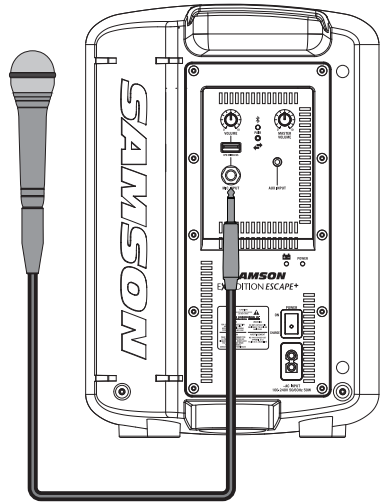
- Set the Escape+ power switch to the OFF position, and fully turn all of the LEVEL controls counterclockwise to 0.
- If an outlet is available, connect the included power cord to the AC input of the speaker, and plug it into an electrical outlet.
- Set the Escape+ power switch to the ON position.
- Connect your audio sources.
- Turn the MASTER VOL control up and set the input levels, following the steps below.

Making Connections

Microphone Input

- Connect a microphone using a 1/4" instrument cable.
- Turn the MASTER VOL control about half way up.
- While speaking or singing at performance level into the microphone slowly raise the channel MIC VOLUME control until you have reached the desired level.

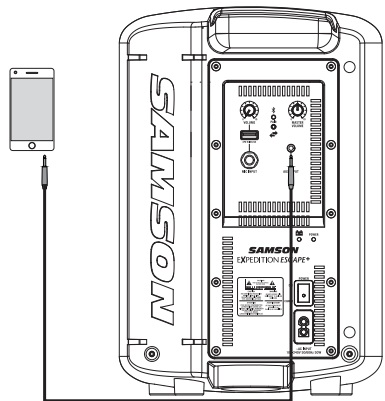
NOTE: If not using the Mic Input, turn the MIC VOLUME control all the way down to keep out any unwanted noise.



Aux Input

- Connect a line level device using 1/8" (3.5mm) cable.
- Set the output volume of your audio device to it's maximum setting.
- While playing music from a line level audio source, slowly raise the MASTER VOL control until you have reached the desired level.

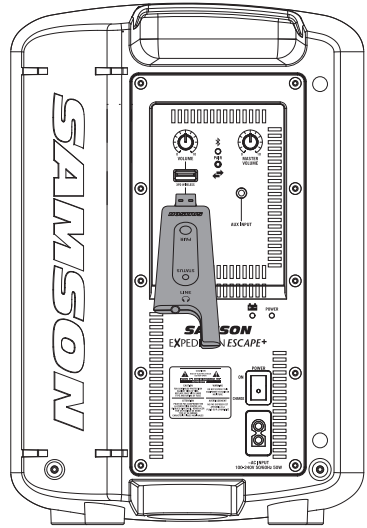
NOTE: If using the Mic Input with an Aux audio device, use the external audio device's volume control to balance the audio levels.



Quick Start

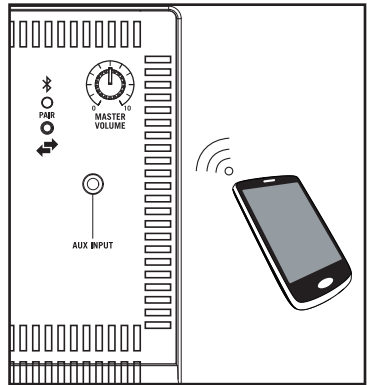
XPD Wireless Input

- Plug the XPD USB receiver into the XPD Wireless USB jack.
- Turn the MIC Volume knob on the Escape+ completely counterclockwise to 0.
- Place a fresh set of AA (LR6) batteries in the transmitter battery holder, taking care to observe the polarity markings, then replace the cover.
- Turn on the power to the transmitter by pressing and holding Power switch; the indicator LED will light amber.
- Raise the MASTER VOL up about half way.
- Speak or sing into the mic at a normal performance level and raise the MIC Volume control until the desired level is reached.



Bluetooth®

- Turn the BLUETOOTH VOLUME control down counterclockwise to 0.
- With the Escape+ and your *Bluetooth* device powered on; press the PAIR button on the rear panel of the Escape+ to make the speaker discoverable. The Pairing indicator will slowly flash blue.
- In the settings of your Bluetooth device, set it to “discover” available devices.
- From the Bluetooth device list, select the “Escape+ Plus” device.
- If your device asks for a passkey, enter digits 0000 (four zeros) and press OK. Some devices may also ask you to accept the connection.
- The Escape+ speaker indicates that pairing is complete when the indicator turns steady blue. You can now stream audio from your device to the Escape+ speakers.
- With the volume control on your *Bluetooth* device turned up, play some music, and slowly raise the Escape+ MASTER VOL control until you have reached the desired level.



Speaker Placement

The Expedition Escape+ provides three different placement options for your specific situation.

For maximum sound coverage the Expedition Escape+ can be used with a standard 1 3/8" speaker stand. The speaker should be raised above the heads of the listening audience. Take care when placing the speaker on a stand, to ensure that it is on a level, steady surface and will not tip over.

When using the speaker on the floor, or when the speaker is below the listener, the Expedition Escape+ features a monitor angle position to project the sound up, towards the audience.

For smaller settings, the speaker can be placed vertically on a table or desk.

Take care when placing the Expedition Escape+ in direct sunlight for long periods of time, as this may discolor or damage the unit.

Do not place the speaker on wet surfaces, as it can cause malfunction. If you notice condensation on the unit, dry the speaker before using or storing.



Avoiding Feedback

Feedback is the annoying howling and squealing that can be heard when the microphone picks up sound from the speaker. The sound is then re-amplified back through the speaker again, creating a feedback loop. Follow these steps to minimize the likelihood of feedback:

- Avoid pointing the microphone directly at the speaker. In general it is recommended that the microphone be positioned behind the speaker enclosure. This uses the directional characteristics of the speaker and microphone to your advantage.
- Keep the microphone as far from the speaker as possible. This will help achieve isolation between the speaker and the microphone, and allow you to increase the output of the Expedition Escape+.
- Position the microphone as close to the sound source as possible. This will enable the microphone to pick up more direct sound, and allow you to reduce the microphone input gain control.
- Reduce the overall level of the speaker.

Specifications

Power Output	50 watts (peak)
Speakers	6" Woofer + 1" HF Driver
Mic Input	1/4"
Aux Input	1/8"
Wireless Input	USB
<i>Bluetooth</i>	<i>Bluetooth 5.0+BR+EDR+BLE, A2DP</i>
Working Frequency	2.402GHz ~ 2.480GHz
RF Power	+2dBm
LEVEL Controls	Mic, Master
Built-in Battery	12V / 2.2AH, Rechargeable & Sealed
Operation	Up to 20 hours subject to operating conditions
Battery Charging	Approx. 5 hours for a single charge
AC Input	AC 100~240V 50/60Hz
Construction	Polypropylene
Grill	Perforated Steel Grill, powder coated
Mounting	Integral 1 3/8" Pole Mount Receptacle
Operating Temperature	-10°C ~ +40°C
Dimensions	8.75" x 8.25" x 12.75" 222 mm x 210 mm x 323 mm
Weight	10.45 lb 4.7 kg

ENGLISH

FRANÇAIS

DEUTSCHE

ESPAÑOL

ITALIANO

Consignes de sécurité importantes



**AVIS
RISQUE DE CHOC ÉLECTRONIQUE -
NE PAS OUVRIR**



Le pictogramme avec un éclair dans un triangle informe l'utilisateur de la présence d'une « tension dangereuse » et non isolée dans l'appareil. Cette tension constitue un risque d'électrocution.



Le pictogramme avec un point d'exclamation dans un triangle informe l'utilisateur de consignes importantes relatives à l'utilisation et à la maintenance du produit.

AVERTISSEMENT : POUR ÉVITER TOUT RISQUE D'ÉLECTROCUTION, NE PAS ÔTER LE COUVERCLE OU LE DOS DU BOÎTIER, CAR CET APPAREIL NE CONTIENT AUCUNE PIÈCE REMPLAÇABLE PAR L'UTILISATEUR. CONFIEZ TOUTES LES RÉPARATIONS À UN MEMBRE DE PERSONNEL QUALIFIÉ.



Si vous souhaitez vous débarrasser de ce produit, ne le jetez pas avec les ordures ménagères. Il existe un service de collecte séparée pour les produits électroniques usés. Ce service est conforme aux dispositions légales sur le traitement, la récupération et le recyclage.

Les consommateurs des 28 pays membres de l'UE, de la Suisse et de la Norvège peuvent se débarrasser gratuitement de leurs produits électroniques usagés à des points de collecte désignés ou auprès d'un revendeur (lorsqu'un nouveau produit est acheté).

Pour les autres pays, veuillez contacter votre administration locale pour connaître la méthode de mise au rebut appropriée.

En procédant ainsi, vous êtes assuré que votre produit sera correctement traité, récupéré et recyclé afin de prévenir les effets négatifs possibles sur l'environnement et la santé.

La marque et les logos *Bluetooth®* sont des marques commerciales déposées appartenant à Bluetooth SIG, Inc. et toute utilisation de ces marques par Samson Technologies est s'effectue sous licence. Les autres marques et noms commerciaux sont ceux de leurs propriétaires respectifs."

Consignes de sécurité importantes

1. Lisez ces consignes.
2. Conservez ces consignes.
3. Lisez avec attention tous les avertissements.
4. Suivez toutes les consignes.
5. N'utilisez pas cet appareil près d'une source d'eau.
6. Nettoyez l'appareil uniquement avec un chiffon sec.
7. N'obstruez pas les fentes prévues pour la ventilation. Installez l'appareil selon les consignes du fabricant.
8. N'installez pas l'appareil à proximité de sources de chaleur telles que radiateurs, bouches d'air chaud, poêles ou autres appareils (y compris les amplificateurs) susceptibles de générer de la chaleur.
9. Ne défaites pas le dispositif de sécurité de la fiche polarisée ou de mise à la terre. Une fiche de type terre possède deux lames et une troisième broche de mise à la terre. Une fiche de type mise à la terre a deux lames et une troisième broche de mise à la terre. La lame la plus large ou la troisième broche assure la sécurité de l'utilisateur. Si la fiche fournie ne rentre pas dans votre prise, consultez un électricien pour remplacer la prise obsolète.
10. Protégez le cordon d'alimentation pour éviter qu'il ne soit piétiné ou pincé, notamment au niveau des prises, des réceptacles et à la sortie de l'appareil.
11. Utilisez uniquement les accessoires/équipements recommandés par le fabricant.
12. Utilisez uniquement le chariot, le pied, le trépied, le support ou la table recommandé par le fabricant ou fourni avec l'appareil. Lors de l'utilisation d'un chariot, veuillez déplacer l'ensemble chariot/appareil avec précaution afin d'éviter toute blessure en cas de renversement.
13. Débranchez l'appareil en cas d'orage ou au cours de longues périodes de non-utilisation.
14. Confiez toute réparation à un personnel qualifié. L'intervention d'un technicien s'impose dans les cas où le cordon d'alimentation ou la prise secteur sont endommagés, des corps étrangers ou du liquide se sont introduits dans l'appareil, l'appareil a été exposé à la pluie ou à l'humidité, l'appareil montre des signes de dysfonctionnement ou est tombé.
15. Cet appareil ne doit pas être exposé à des éclaboussures ou des gouttes d'eau et aucun objet rempli de liquide, tel qu'un vase, ne doit être placé sur l'appareil.
16. Attention - afin d'éviter tout risque d'électrocution, n'insérez la lame large que dans la fente large de la prise.
17. Veillez à maintenir une ventilation adéquate autour de l'appareil.
18. Afin d'éviter tout risque de blessure, cet appareil doit être fermement fixé au support selon les instructions d'installation.
19. **AVERTISSEMENT** : Les batteries (les piles ou les bloc-batteries) ne doivent pas être exposées à une chaleur excessive telle que le soleil, le feu ou autre source de chaleur similaire.
20. **ATTENTION** : Risque d'explosion en cas de remplacement incorrect de la pile. Remplacez seulement avec le même type ou un type équivalent.
21. **AVERTISSEMENT** : La prise électrique ou le coupleur est utilisé(e) comme dispositif de débranchement qui doit toujours être en état de marche.
22. L'élimination des batteries doit être conforme aux normes environnementales et aux lois locales en vigueur.
23. Ne placez aucune source de flamme nue, comme des bougies allumées, sur l'appareil.



Consignes de sécurité importantes

Avis de la FCC

1. Cet appareil est conforme à l'alinéa 15 des règlements FCC. Le fonctionnement est soumis aux deux conditions suivantes :
 - (1) Cet appareil ne doit pas causer d'interférences nuisibles.
 - (2) Cet appareil doit accepter toute interférence reçue, y compris celles susceptibles de provoquer son fonctionnement indésirable.
2. Tout changement ou modification apporté à l'appareil sans l'approbation des autorités compétentes peut annuler l'autorisation de l'utiliser.

Déclaration de la FCC

Ce matériel a été testé et déclaré conforme aux limites imposées aux appareils numériques de classe B, conformément à l'alinéa 15 des règlements FCC. Ces limites sont destinées à assurer une protection raisonnable contre les interférences dans un environnement résidentiel.

Ce matériel génère, utilise et peut émettre de l'énergie radiofréquence et, s'il n'est pas installé et utilisé conformément au manuel d'utilisation, risque de provoquer des interférences. Cependant, tout risque d'interférence ne peut être totalement exclu. S'il constate des interférences lors de la réception d'émissions de radio ou de télévision (il suffit pour le vérifier d'allumer et d'éteindre successivement l'appareil), l'utilisateur devra prendre les mesures nécessaires pour les éliminer. À cette fin, il devra :

- Réorienter ou déplacer l'antenne réceptrice.
- Augmenter la distance entre le matériel et le récepteur.
- Brancher le matériel sur un autre circuit que celui du récepteur.
- Consulter le revendeur ou un technicien de radio/TV expérimenté.

Déclaration d'avertissement RF

L'appareil est conforme aux normes générales d'exposition aux radiofréquences. L'appareil peut être utilisé sans aucune restriction dans des conditions d'exposition portable.

Cet appareil est conforme à la norme RSS-310 d'Industrie Canada. Le fonctionnement est soumis à la condition que cet appareil ne cause pas d'interférences nuisibles.

Par la présente, Samson Technologies Corp. déclare que l'appareil Expedition Escape+ est conforme aux principales exigences et autres clauses pertinentes de la directive 2014/53/UE. La déclaration de conformité peut être consultée sur le site :

http://www.samsontech.com/site_media/support/manuals/Expedition_Escape_Plus_DOC.pdf

Introduction

Merci d'avoir acheté le système de sonorisation portable à piles batteries Expedition Escape+. Il est doté d'une connectivité sans fil *Bluetooth®*, pour diffuser l'audio de la musique en streaming depuis votre smartphone, tablette ou ordinateur.

Léger et compact, l'Expedition Escape+ pèse moins de 10 lb (env. 4.5 kg), et est un excellent complément en cas d'utilisation d'une enceinte portable. La batterie interne fournit jusqu'à 20 heures d'audio en pleine charge. L'Expedition Escape+ peut être branché sur une prise pour un son continu.

Pour vos besoins de sonorisation à l'extérieur, en classe, au karaoké, en studio ou en concert, l'Expedition Escape+ offre un son portable de haute qualité dans un petit boîtier autonome.

Nous vous recommandons de conserver les documents suivants à titre de référence, ainsi qu'une copie de votre reçu de caisse.

Numéro de série : _____

Date d'achat : _____

Si vous avez des questions ou des commentaires concernant le système de sonorisation portable Escape+ ou tout autre produit de Samson, n'hésitez pas à nous contacter à support@samsontech.com.

Avec un entretien et une maintenance appropriés, votre système de sonorisation portable Escape+ vous donnera satisfaction pendant de nombreuses années. Si votre système de sonorisation portable Escape+ doit être réparé, vous devez obtenir un numéro d'autorisation de retour (RA) avant d'expédier votre appareil à Samson. Sans ce numéro, l'appareil ne sera pas accepté. Veuillez consulter le site www.samsontech.com/ra pour obtenir ce numéro RA. Veuillez conserver les matériaux d'emballage d'origine et, si possible, retourner l'appareil dans son emballage d'origine. Si votre système de sonorisation portable Escape+ a été acheté en dehors des États-Unis, contactez votre distributeur local.

ENGLISH

FRANÇAIS

DEUTSCHE

ESPAÑOL

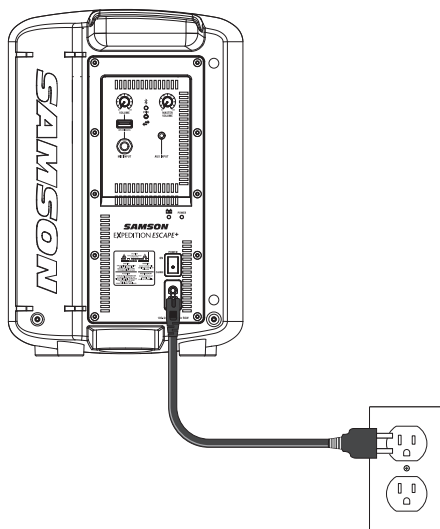
ITALIANO

Chargement de la batterie

L'Escape+ est doté d'une batterie interne rechargeable permettant d'écouter jusqu'à 20 heures d'audio en continu avec une charge complète. **Même si le système Escape+ peut être partiellement chargé lors de la sortie de son emballage, il est recommandé de le charger complètement avant la première utilisation.**

Pour charger la batterie :

- Mettez l'interrupteur d'alimentation sur "OFF".
- Branchez l'Expedition Escape+ à une prise CA à l'aide de l'adaptateur secteur fourni.
- Maintenez le système branché jusqu'à ce que le témoin d'alimentation s'éteigne, signifiant que la batterie est complètement chargée.



Si la durée de fonctionnement de l'Escape+ diminue de façon significative, même après une charge complète, la batterie doit être remplacée. Contactez le service à la clientèle Samson ou votre distributeur local pour obtenir une batterie de rechange.



L'Escape+ est équipé d'une batterie scellée au plomb à électrolyte gélifié. En cas de non-utilisation, la batterie se décharge lentement. Si vous prévoyez de ne pas utiliser l'Escape+ pendant une longue période, chargez complètement l'appareil avant de l'entreposer.

Chargez également l'appareil tous les six mois en cas de non-utilisation. Ainsi, la batterie sera en bon état et sa durée de vie sera prolongée. Si la batterie est restée faiblement chargée pendant une longue période, il est possible de la recharger et de la remettre en état de fonctionnement après une période de charge pouvant durer jusqu'à 72 heures.

ENGLISH

FRANÇAIS

DEUTSCHE

ESPAÑOL

ITALIANO

Démarrage rapide

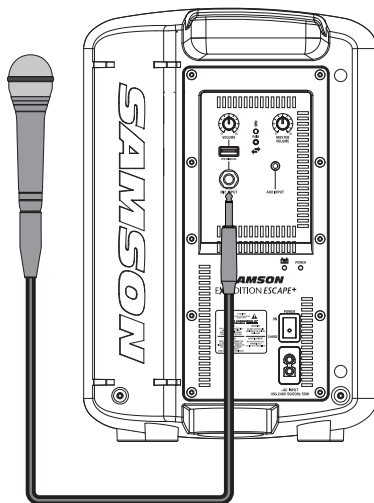
- Mettez l'interrupteur d'alimentation de l'Escape+ sur OFF et tournez complètement toutes les commandes LEVEL dans le sens antihoraire jusqu'à 0.
- Si vous disposez d'une prise, branchez le cordon d'alimentation fourni à l'entrée CA de l'enceinte et insérez-le dans une prise électrique.
- Mettez l'interrupteur d'alimentation de l'Escape+ sur ON.
- Branchez vos sources audio.
- Monter le niveau de la commande MASTER VOL et réglez les niveaux d'entrée, en suivant les étapes ci-dessous.

Connexions

Entrée microphone

- Branchez le microphone à l'aide d'un câble d'instrument 1/4".
- Tournez la commande MASTER VOL vers le haut d'environ la moitié.
- Pour parler ou chanter de manière audible dans le microphone, augmentez lentement le volume du canal MIC jusqu'à ce que vous ayez atteint le niveau souhaité.

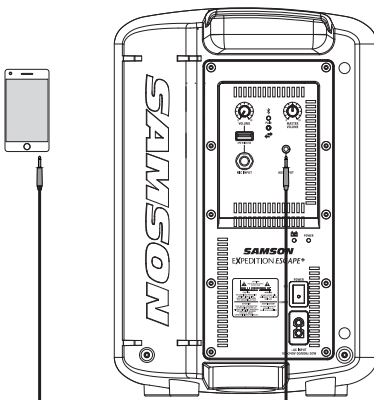
Remarque : Si vous n'utilisez pas l'entrée micro, fermez complètement la commande MIC VOLUME pour éviter tout bruit indésirable.



Entrée Aux

- Branchez un appareil de niveau ligne à l'aide d'un câble de 1/8" (3,5 mm).
- Réglez le volume de sortie de votre appareil audio au maximum.
- Pour écouter de la musique à partir d'une source audio de niveau ligne, augmentez lentement la commande MASTER VOL jusqu'à ce que vous ayez atteint le niveau souhaité.

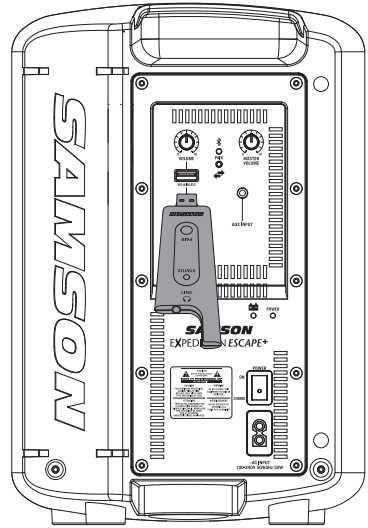
Remarque : Si vous utilisez l'entrée micro avec un appareil audio auxiliaire, utilisez la commande de volume de l'appareil audio externe pour équilibrer les niveaux audio.



Démarrage rapide

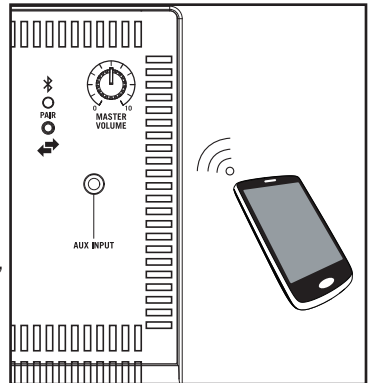
Entrée sans fil XPD

- Branchez le récepteur USB XPD dans la prise USB sans fil XPD.
- Tournez complètement le bouton de volume MIC de l'Escape+ dans le sens antihoraire jusqu'à 0.
- Insérez un jeu de piles AA (LR6) neuves dans le porte-piles de l'émetteur en veillant à respecter les polarités indiquées, puis replacez le couvercle.
- Mettez l'émetteur sous tension en appuyant sur l'interrupteur d'alimentation et en le maintenant enfoncé ; le témoin DEL deviendra orange.
- Augmentez le MASTER VOL d'environ la moitié.
- Pour parler ou chanter dans le micro à une puissance normale, augmentez la commande de volume du microphone jusqu'à ce que le niveau souhaité soit atteint.



Bluetooth®

- Tournez la commande BLUETOOTH VOLUME vers le bas dans le sens antihoraire jusqu'à 0.
- Lorsque l'Escape+ et votre appareil Bluetooth sont allumés sous tension, appuyez sur le bouton PAIR sur le panneau arrière au dos de l'Escape+ pour que l'enceinte puisse être découverte/détectée. Le témoin d'appariement clignotera lentement en bleu.
- Dans les paramètres de votre appareil Bluetooth, réglez-le sur "détecter" les appareils disponibles.
- Dans la liste des appareils Bluetooth, sélectionnez l'appareil "Escape+ Plus".
- Entrez les chiffres 0000 (quatre zéros) et appuyez sur OK si votre appareil vous demande un mot de passe. Certains appareils peuvent également vous demander d'accepter la connexion.
- Pour indiquer que l'appariement est terminé, le témoin de l'enceinte Escape+ devient bleu fixe. Vous pouvez maintenant diffuser de la musique en streaming de votre appareil vers les enceintes Escape+.
- Une fois la commande de volume de votre appareil Bluetooth activée, écoutez de la musique et augmentez lentement la commande Escape+ MASTER VOL jusqu'à ce que vous ayez atteint le niveau souhaité.



ENGLISH

FRANÇAIS

DEUTSCHE

ESPAÑOL

ITALIANO

Positionnement de l'enceinte

L'Expedition Escape+ peut se positionner de trois manières différentes pour répondre à vos besoins.

Pour obtenir une couverture sonore optimale, l'Expedition Escape+ peut être utilisé avec un pied d'enceinte standard de 1 3/8". L'enceinte doit être élevée au-dessus de la tête de l'utilisateur. Si vous utilisez un pied d'enceinte, veillez à ce que l'enceinte se trouve sur une surface plane et stable pour éviter qu'elle ne se renverse.

Si l'enceinte est posée au sol ou sous la table, l'angle d'inclinaison de la console Expedition Escape+ permet de diffuser le son vers le haut, en direction du public.

Pour des réglages plus modestes, l'enceinte peut être placée verticalement sur une table ou un bureau.



Veillez à ne pas exposer l'Expedition Escape+ à la lumière directe du soleil pendant de longues périodes, car cela pourrait décolorer ou endommager l'appareil.

Ne placez pas l'enceinte sur des surfaces mouillées, car cela pourrait provoquer des dysfonctionnements. Si vous remarquez de la condensation sur l'appareil, séchez l'enceinte avant de l'utiliser ou de l'entreposer.

Éviter la rétroaction acoustique

La rétroaction acoustique se définit par les hurlements ou les grincements désagréables qui retentissent lorsque le microphone capte le son de l'enceinte. Le son est ensuite amplifié de nouveau par l'enceinte, créant ainsi une boucle de rétroaction. Procédez comme suit pour réduire au minimum la probabilité d'une rétroaction acoustique :

- Évitez de pointer le microphone directement vers l'enceinte. Il est généralement recommandé de placer le microphone derrière le boîtier de l'enceinte. Cela vous permet d'utiliser à votre avantage les caractéristiques directionnelles de l'enceinte et du microphone.
- Maintenez le microphone aussi loin que possible de l'enceinte. Ceci permet d'isoler l'enceinte du microphone afin d'augmenter le rendement de l'Expedition Escape+.
- Positionnez le microphone le plus près possible de la source sonore. Ceci donnera un son plus clair au microphone et vous permettra de réduire la puissance d'entrée du microphone.
- Réduisez le niveau global de l'enceinte.

Caractéristiques

Puissance de sortie	50 watts (crête)
Enceintes	6" Woofer + 1" HF Driver
Entrée Mic	1/4 po
Entrée auxiliaire	1/8 po
Entrée sans fil	USB
<i>Bluetooth</i>	<i>Bluetooth 5.0+BR+EDR+EDR+BLE, A2DP</i>
Fréquence de fonctionnement	2.402GHz ~ 2.480GHz
Puissance RF	+2dBm
Commandes LEVEL	Mic, Master
Batterie intégrée	12V / 2.2AH, rechargeable et scellée
Fonctionnement	Jusqu'à 20 heures en fonction d'après les conditions d'utilisation
Chargement de la batterie	Environ 5 heures pour une seule charge
Entrée CA	CA 100~240V 50/60Hz AC
Fabrication	Polypropylène
Grille	Grille en acier perforé, enduite de poudre
Montage po	Réceptacle intégré de montage sur poteau de 1 3/8
Température de fonctionnement	-10°C ~ +40°C
Dimensions	8.75" x 8.25" x 12.75" 222 mm x 210 mm x 323 mm
Poids	10.45 lb 4.7 kg

ENGLISH

FRANÇAIS

DEUTSCHE

ESPAÑOL

ITALIANO

Wichtige Sicherheitsinformationen



**ACHTUNG
STROMSCHLAGGEFAHR –
NICHT ÖFFNEN**



Dieses Blitzsymbol mit Pfeilspitze in einem gleichseitigen Dreieck soll den Benutzer auf das Vorhandensein einer nicht isolierten „gefährlichen Spannung“ im Gehäuse des Produkts aufmerksam machen, die von ausreichender Größe sein kann, um eine Gefahr eines Stromschlags darzustellen.



Das Ausrufezeichen innerhalb eines gleichseitigen Dreiecks soll den Benutzer auf das Vorhandensein wichtiger Betriebs- und Wartungsanweisungen in der dem Gerät beiliegenden Literatur hinweisen.

WARNUNG: UM DAS RISIKO EINES STROMSCHLAGS ZU VERRINGERN, ENTFERNEN SIE DIE ABDECKUNG (ODER DIE RÜCKSEITE) NICHT, DA SICH KEINE VOM BENUTZER ZU WARTENDEN TEILE IM INNEREN BEFINDEN. WENDEN SIE SICH BEI DER WARTUNG AN QUALIFIZIERTES SERVICEPERSONAL.



Wenn Sie dieses Produkt entsorgen möchten, mischen Sie es nicht mit dem allgemeinen Hausmüll. Es gibt ein getrenntes Sammelsystem für gebrauchte Elektroprodukte in Übereinstimmung mit den gesetzlichen Bestimmungen, die eine ordnungsgemäße Behandlung, Rückgewinnung und Recycling erfordern.

Privathaushalte in den 28 Mitgliedsstaaten der EU, in der Schweiz und in Norwegen können ihre gebrauchten elektronischen Produkte kostenlos an Sammelstellen oder an einen Einzelhändler zurückgeben (wenn Sie ähnliche neue Produkte kaufen).

Für Länder, die nicht oben erwähnt werden, wenden Sie sich bitte an Ihre örtlichen Behörden, um eine korrekte Entsorgungsmethode zu erfahren.

Auf diese Weise stellen Sie sicher, dass Ihr entsorgtes Produkt der notwendigen Behandlung, Verwertung und Wiederverwertung unterzogen wird und so verhindern Sie mögliche negative Auswirkungen auf die Umwelt und die menschliche Gesundheit.

Die *Bluetooth*[®] Wortmarke und Logo sind eingetragene Marken im Besitz von Bluetooth SIG, Inc. und jede Verwendung dieser Marken durch Samson Technologies ist unter Lizenz. Andere Marken und Handelsnamen sind die ihrer jeweiligen Eigentümer."

Wichtige Sicherheitsinformationen

1. Lesen Sie diese Anleitung.
2. Bewahren Sie diese Anleitung auf.
3. Beachten Sie alle Warnungen.
4. Befolgen Sie alle Anweisungen.
5. Verwenden Sie dieses Gerät nicht in der Nähe von Wasser.
6. Nur mit einem trockenen Tuch reinigen.
7. Blockieren Sie keine Lüftungsöffnungen. Installieren Sie das Gerät gemäß den Anweisungen des Herstellers.
8. Installieren Sie es nicht in der Nähe von Wärmequellen wie Heizkörpern, Heizregistern, Öfen oder anderen Geräten (einschließlich Verstärkern), die Wärme erzeugen.
9. Unterbrechen Sie den Sicherheitszweck des polarisierten oder geerdeten Steckers nicht. Ein polarisierter Stecker hat zwei Kontakte, von denen einer breiter als der andere ist. Ein geerdeter Stecker hat zwei Kontakte und einen dritten Erdungszapfen. Der breite Kontakt oder der dritte Zapfen sind für Ihrer Sicherheit vorgesehen. Wenn der mitgelieferte Stecker nicht in Ihre Steckdose passt, wenden Sie sich an einen Elektriker, um die veraltete Steckdose auszutauschen.
10. Schützen Sie das Netzkabel davor, betreten oder einklemmt zu werden, insbesondere an den Steckern, Steckdosen und an der Stelle, an der sie aus dem Gerät kommt.
11. Verwenden Sie nur vom Hersteller spezifizierte Aufsätze/Zubehörteile.
12. Nur mit dem vom Hersteller angegebenen oder mit dem Gerät verkauften Wagen, Ständer, Stativ, Halter oder Tisch verwenden. Wenn ein Wagen verwendet wird, ist beim Bewegen der Wagen/Gerätekombination Vorsicht geboten, um Verletzungen durch Umkippen zu vermeiden.
13. Ziehen Sie den Stecker des Geräts während eines Gewitters oder bei längerer Nichtbenutzung.
14. Überlassen Sie alle Wartungsarbeiten qualifiziertem Personal. Ein Service ist erforderlich, wenn das Gerät in irgendeiner Weise beschädigt wurde, z.B. wenn das Netzkabel oder der Stecker beschädigt ist, Flüssigkeit verschüttet wurde oder Gegenstände in das Gerät gefallen sind, Regen oder Feuchtigkeit ausgesetzt waren, das Gerät nicht normal funktioniert oder fallen gelassen wurde.
15. Dieses Gerät darf keinem Tropf- oder Spritzwasser ausgesetzt sein und es dürfen keine mit Flüssigkeit gefüllten Gegenstände, wie z.B. Vasen, auf das Gerät gestellt werden.
16. Vorsicht - um einen Stromschlag zu vermeiden, stecken Sie den breiten Kontakt des Steckers vollständig ein.
17. Bitte sorgen Sie für eine gute Lüftungsumgebung rund um das gesamte Gerät.
18. Um Verletzungen zu vermeiden, muss dieses Gerät gemäß der Montageanleitung sicher am Stativ befestigt werden.
19. **WARNUNG:** Die Batterie (Batterie oder Batterien oder Batterienpack) darf keiner übermäßigen Hitze wie Sonnenschein, Feuer oder dergleichen ausgesetzt sein.
20. **VORSICHT:** Explosionsgefahr durch unsachgemäßen Batteriewechsel. Nur mit dem gleichen oder gleichwertigen Typ ersetzen.
21. **WARNUNG:** Der Netzstecker/Gerätestecker wird als Trennvorrichtung verwendet, die Trennvorrichtung muss leicht bedienbar bleiben.
22. Die Entsorgung der Batterie sollte unter Berücksichtigung von Umweltaspekten und den örtlichen gesetzlichen Anforderungen erfolgen.
23. Es dürfen keine offenen Flammen, wie z.B. brennende Kerzen, auf das Gerät gestellt werden.



Wichtige Sicherheitsinformationen

FCC-Hinweis

1. Dieses Gerät entspricht Teil 15 der FCC-Vorschriften. Der Betrieb unterliegt den folgenden beiden Bedingungen:
 - (1) Dieses Gerät darf keine schädlichen Störungen verursachen.
 - (2) Dieses Gerät muss Störungen aufnehmen können, auch wenn sie unerwünschte Auswirkungen auf den Betrieb haben.
2. Änderungen oder Modifikationen, die nicht ausdrücklich von der für die Einhaltung der Vorschriften verantwortlichen Stelle genehmigt wurden, könnten die Befugnis des Benutzers zum Betrieb des Geräts aufheben.

FCC-Erklärung

Dieses Gerät wurde getestet und entspricht den Grenzwerten für ein digitales Gerät der Klasse B gemäß Teil 15 der FCC-Vorschriften. Diese Grenzwerte sollen einen angemessenen Schutz vor schädlichen Störungen in einer Wohnanlage bieten.

Dieses Gerät erzeugt, gebraucht und kann Radiofrequenzen ausstrahlen und kann, wenn es nicht gemäß den Anweisungen installiert und benutzt wird, Funkkommunikationen beeinträchtigen. Es gibt jedoch keine Garantie dafür, dass bei einer bestimmten Installation keine Störungen auftreten. Wenn dieses Gerät schädliche Störungen des Radio- oder Fernsehempfangs verursacht, was durch Aus- und Einschalten des Geräts festgestellt werden kann, wird dem Benutzer empfohlen, zu versuchen, die Störungen durch eine oder mehrere der folgenden Maßnahmen zu beheben:

- Richten Sie die Empfangsantenne neu aus oder verlegen Sie sie.
- Vergrößern Sie den Abstand zwischen Gerät und Empfänger.
- Schließen Sie das Gerät an eine Steckdose in einem anderen Stromkreis als dem, an den der Empfänger angeschlossen ist.
- Wenden Sie sich an einen Händler oder einen erfahrenen Radio-/Fernsehtechniker.

HF-Warnhinweis

Das Gerät wurde nach den allgemeinen Anforderungen an die HF-Exposition bewertet. Das Gerät kann ohne Einschränkung im mobilen Einsatz eingesetzt werden.

Dieses Gerät entspricht dem RSS-310 von Industry Canada. Der Betrieb ist an die Bedingung geknüpft, dass dieses Gerät keine schädlichen Störungen verursacht.

Hiermit erklärt Samson Technologies Corp., dass dieses Expedition Escape+ den grundlegenden Anforderungen und anderen relevanten Bestimmungen der Richtlinie 2014/53/EU entspricht. Die Konformitätserklärung kann eingesehen werden unter:

http://www.samsontech.com/site_media/support/manuals/Expedition_Escape_Plus_DOC.pdf

Einführung

Vielen Dank, dass Sie sich für das batteriebetriebene tragbare Soundsystem Expedition Escape+ mit drahtloser *Bluetooth*® Konnektivität entschieden haben, um Audio von Ihrem Smartphone, Tablet oder Computer zu übertragen.

Das Expedition Escape+ ist leicht und kompakt und wiegt weniger als 6,8 kg, was es zu einer ausgezeichneten Ergänzung für jede mobile Lautsprechersituation macht. Der interne Akku bietet bei voller Ladung bis zu 20 Stunden Audio. Das Expedition Escape+ kann an eine Steckdose für kontinuierliche Audioübertragung angeschlossen werden.

Egal, ob Sie ein Soundsystem für den Einsatz im Freien, im Klassenzimmer, für Karaoke, für Präsentationen oder für Live-Musik suchen, das Expedition Escape+ bietet qualitativ hochwertiges, tragbares Audio in einem kleinen, batterielosen Paket.

Wir empfehlen Ihnen, die folgenden Unterlagen sowie eine Kopie Ihres Kaufbelegs aufzubewahren.

Seriennummer: _____

Kaufdatum: _____

Wenn Sie Fragen oder Anmerkungen zum tragbaren Escape+ PA-System oder anderen Produkten von Samson haben, zögern Sie nicht, uns unter support@samsontech.com zu kontaktieren.

Bei sachgemäßer Pflege und Wartung arbeitet Ihr tragbares Escape+ PA-System viele Jahre lang störungsfrei. Sollte Ihr tragbares Escape+ PA-System jemals gewartet werden müssen, muss eine Rücksendenummer (RA-Nummer) eingeholt werden, bevor Sie Ihr Gerät zu Samson schicken. Ohne diese Nummer wird das Gerät nicht akzeptiert. Bitte besuchen Sie www.samsontech.com/ra für eine RA-Nummer vor dem Versand Ihres Gerätes. Bitte bewahren Sie die Originalverpackungsmaterialien auf und senden Sie das Gerät nach Möglichkeit im Originalkarton zurück. Wenn Ihr tragbares Escape+ PA-System außerhalb der Vereinigten Staaten gekauft wurde, wenden Sie sich an Ihren lokalen Händler.

ENGLISH

FRANÇAIS

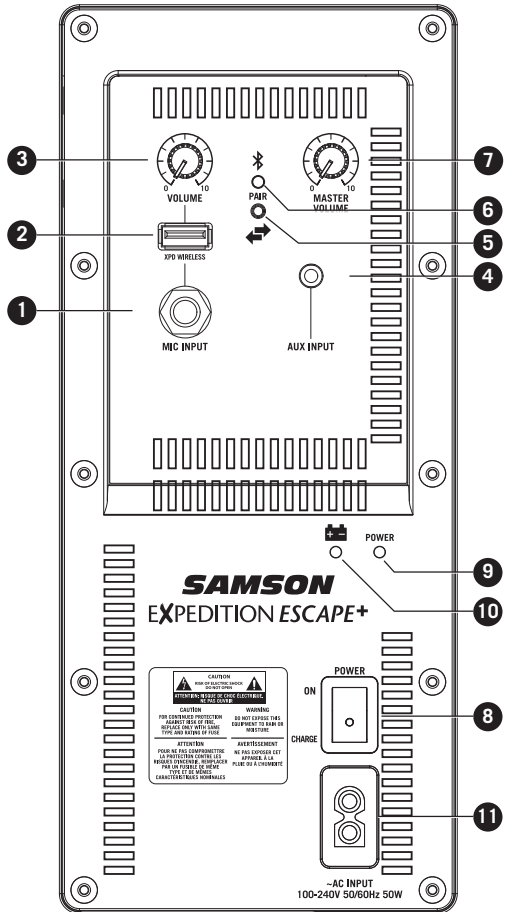
DEUTSCHE

ESPAÑOL

ITALIANO

Escape+ Kontrollen und Verbindungen

1. **MIC-EINGANG** - Verwenden Sie diesen 6,35 mm-Eingang, um ein Mikrofon anzuschließen.
2. **XPD WIRELESS Input** - Schließen Sie einen digitalen drahtlosen Samson XPD digitalen, USB-Empfänger an diesen Eingang an. Der drahtlose Empfänger bezieht seine Energie vom Escape+, so dass keine zusätzliche Stromversorgung benötigt wird.
3. **MIC VOLUME** - Wird verwendet, um den Pegel der Mikrofon- und XPD Wireless-Eingänge zu regeln.
4. **AUX-EINGANG** - Schließen Sie ein Line-Pegel-Gerät mit einem 3,5 mm Audiokabel an.
5. **Kopplungs-Taste** - Drücken Sie diese Taste, um den erkennbaren Modus für die Kopplung mit einem *Bluetooth*-Audiogerät zu aktivieren.
6. **Koppelanzeige** - Zeigt den *Bluetooth* - Status des Expedition Escape+ Systems an.
7. **MASTER VOL** - Wird verwendet, um den Gesamtpegel des Lautsprechersystems zu regeln.
8. **POWER Switch** - Schaltet die Hauptstromversorgung ein.
9. **POWER-Anzeige** - Leuchtet grün, wenn sich der Netzschalter in der Position ON befindet.
10. **Batteriezustandsanzeige** - Zeigt den Status des Batteriezustands an. Die Anzeige leuchtet während des Ladevorgangs rot und wird grün, wenn der Akku vollständig geladen ist.
11. **AC INPUT** - Schließen Sie hier das mitgelieferte Netzkabel an.

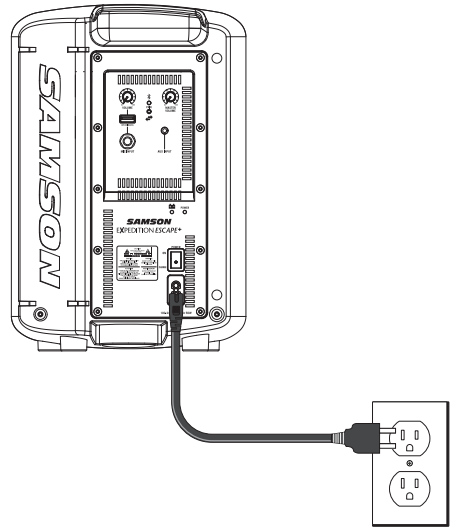


Aufladen des Akkus

Das Escape+ verfügt über einen internen, wiederaufladbaren Akku, der bei voller Aufladung bis zu 20 Stunden Dauerbetrieb ermöglicht. **Auch wenn das System bei der ersten Entnahme aus der Box eine gewisse Ladung haben kann, wird empfohlen Escape+ vor der ersten Benutzung vollständig aufzuladen.**

Zum Aufladen des Akkus:

- Stellen Sie den Netzschalter auf die Position "OFF".
- Schließen Sie das Expedition Escape+ über das mitgelieferte Netzteil an eine Steckdose an.
- Halten Sie das System angeschlossen, bis die Anzeige für die Stromversorgung erlischt, was anzeigt, dass der Akku vollständig geladen ist.



Wenn Sie feststellen, dass die Betriebszeit des Escape+ auch nach dem vollständigen Laden deutlich verkürzt ist, sollte der Akku ausgetauscht werden. Wenden Sie sich für eine Ersatzbatterie an den Samson-Kundendienst oder Ihren örtlichen Händler.



Das Escape+ verwendet eine versiegelte Blei-Gel-Batterie. Wenn der Akku nicht in Gebrauch ist, wird er sich langsam selbst entladen. Wenn Sie planen, das Escape+ über einen längeren Zeitraum nicht zu benutzen, wird empfohlen, das Gerät vor der Lagerung vollständig aufzuladen.

Es ist auch wichtig, das Gerät bei Nichtgebrauch alle sechs Monate zu laden. Dies gewährleistet eine gesunde Batterie und verlängert ihre Lebensdauer. Wenn der Akku über einen längeren Zeitraum mit einer sehr niedrigen Ladung belassen wird, ist es möglich, den Akku wieder in den Betriebszustand zu versetzen, aber die Ladezeit kann bis zu 72 Stunden dauern.

ENGLISH

FRANÇAIS

DEUTSCHE

ESPAÑOL

ITALIANO

Schnellstart

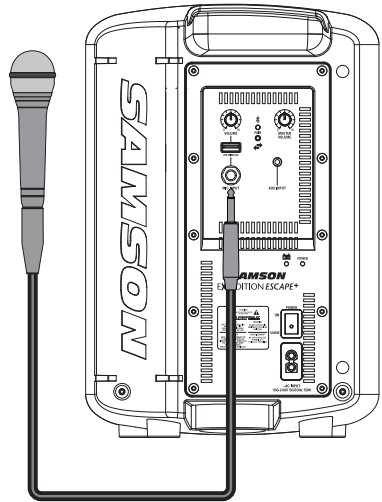
- Stellen Sie den Escape+ Netzschalter auf die Position OFF und drehen Sie alle LEVEL-Regler vollständig gegen den Uhrzeigersinn auf 0.
- Wenn eine Steckdose vorhanden ist, schließen Sie das mitgelieferte Netzkabel an den AC-Eingang des Lautsprechers an und stecken Sie es in eine Steckdose.
- Stellen Sie den Netzschalter des Escape+ auf die Position ON.
- Schließen Sie Ihre Audioquellen an.
- Drehen Sie den MASTER VOL-Regler auf und stellen Sie die Eingangspegel ein, indem Sie die folgenden Schritte ausführen.

Herstellen von Verbindungen

Mikrofoneingang

- Schließen Sie ein Mikrofon mit einem 6,35 mm Instrumentenkabel an.
- Drehen Sie den MASTER VOL-Regler etwa halb nach oben.
- Während Sie in das Mikrofon sprechen oder singen, erhöhen Sie langsam den MIC VOLUME-Regler, bis Sie den gewünschten Pegel erreicht haben.

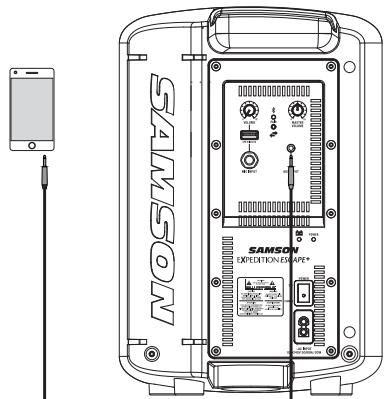
Hinweis: Wenn Sie den Mikrofoneingang nicht verwenden, drehen Sie den MIC VOLUME-Regler ganz nach unten, um unerwünschte Geräusche zu vermeiden.



Aux-Eingang

- Schließen Sie ein Line-Level-Gerät mit einem 3,5 mm Kabel an.
- Stellen Sie die Ausgangslautstärke Ihres Audiogeräts auf die maximale Einstellung ein.
- Während Sie Musik von einer Line-Pegel-Audioquelle wiedergeben, erhöhen Sie langsam den MASTER VOL-Regler, bis Sie den gewünschten Pegel erreicht haben.

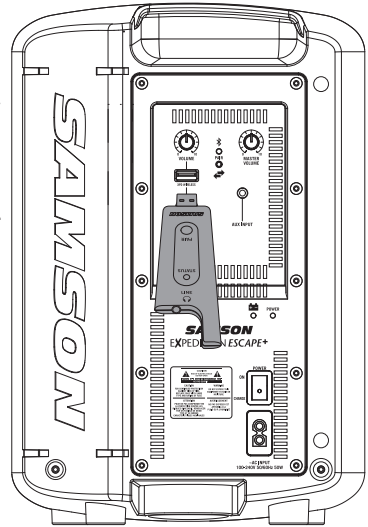
Hinweis: Wenn Sie den Mikrofoneingang mit einem Aux-Audiogerät verwenden, verwenden Sie den Lautstärkereger des externen Audiogeräts, um die Audiopegel auszugleichen.



Schnellstart

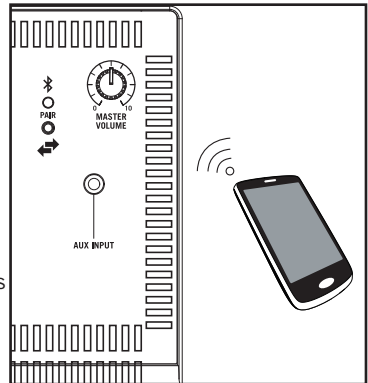
XPD Wireless Input

- Schließen Sie den XPD USB-Empfänger an den XPD Wireless USB-Stecker an.
- Drehen Sie den MIC Volume-Regler am Escape+ vollständig gegen den Uhrzeigersinn auf 0.
- Legen Sie einen neuen Satz AA (LR6)-Batterien in den Batteriehalter des Senders ein und achten Sie dabei auf die Polaritätsmarkierungen.
- Schalten Sie den Sender durch Drücken und Halten des Netzschalters ein; die Anzeige-LED leuchtet gelb.
- Drehen Sie den MASTER VOL etwa zur Hälfte hoch.
- Sprechen oder singen Sie in das Mikrofon in normaler Lautstärke und erhöhen Sie den MIC VOLUME Regler, bis der gewünschte Pegel erreicht ist.



Bluetooth®

- Drehen Sie den BLUETOOTH VOLUME-Regler gegen den Uhrzeigersinn auf 0.
- Wenn das Escape+ und Ihr *Bluetooth*-Gerät eingeschaltet sind, drücken Sie die PAIR-Taste auf der Rückseite des Escape+, um den Lautsprecher sichtbar zu machen. Die Koppelanzeige wird langsam blau blinken.
- Stellen Sie in den Einstellungen Ihres Bluetooth-Geräts ein, dass verfügbare Geräte "erkannt" werden.
- Wählen Sie in der Liste der Bluetooth-Geräte das Gerät "Escape+ Plus" aus.
- Wenn Ihr Gerät nach einem Hauptschlüssel fragt, geben Sie die Ziffern 0000 (vier Nullen) ein und drücken Sie OK. Einige Geräte können Sie auch auffordern, die Verbindung zu akzeptieren.
- Der Escape+ Lautsprecher zeigt an, dass die Kopplung abgeschlossen ist, wenn die Anzeige konstant blau leuchtet. Sie können nun Audio von Ihrem Gerät auf das Escape+ streamen.
- Wenn der Lautstärkereglers Ihres *Bluetooth*-Geräts aufgedreht ist, spielen Sie Musik ab und drehen Sie den Escape+ VOLUME Regler langsam auf, bis Sie den gewünschten Pegel erreicht haben.



ENGLISH

FRANÇAIS

DEUTSCHE

ESPAÑOL

ITALIANO

Platzierung der Lautsprecher

Das Expedition Escape+ bietet drei verschiedene Einsatzmöglichkeiten für Ihre spezifische Situation.

Für eine maximale Klangabdeckung kann das Expedition Escape+ mit einem Standard 35 mm Lautsprecherstativ verwendet werden. Der Lautsprecher sollte über die Köpfe des Zuhörers gehoben werden. Achten Sie beim Aufstellen des Lautsprechers auf einem Stativ darauf, dass er sich auf einer ebenen Fläche befindet und nicht umkippt.

Wenn Sie den Lautsprecher auf dem Boden verwenden oder wenn sich der Lautsprecher unter dem Zuhörer befindet, verfügt das Expedition Escape+ über eine Monitorwinkelposition, um den Klang nach oben auf das Publikum zu projizieren.

Für kleinere Einsätze kann der Lautsprecher vertikal auf einem Tisch oder Schreibtisch aufgestellt werden.

Seien Sie vorsichtig, wenn Sie das Expedition Escape+ über einen längeren Zeitraum in direktem Sonnenlicht lagern, da dies zu Verfärbungen oder Beschädigungen des Gerätes führen kann.

Stellen Sie den Lautsprecher nicht auf nasse Oberflächen, da dies zu Fehlfunktionen führen kann. Wenn Sie Kondensation am Gerät feststellen, trocknen Sie den Lautsprecher vor der Verwendung oder Lagerung.



Vermeidung von Feedback

Feedback ist das lästige Heulen und Quietschen, das zu hören ist, wenn das Mikrofon Geräusche aus dem Lautsprecher aufnimmt. Der Sound wird dann wieder durch den Lautsprecher verstärkt, wodurch eine Rückkopplungsschleife entsteht. Befolgen Sie diese Schritte, um die Wahrscheinlichkeit von Feedback zu minimieren:

- Vermeiden Sie es, das Mikrofon direkt auf den Lautsprecher zu richten. Im Allgemeinen wird empfohlen, das Mikrofon hinter dem Lautsprechergehäuse zu positionieren. Dabei werden die Richtung von Lautsprecher und Mikrofon zu Ihrem Vorteil genutzt.
- Halten Sie das Mikrofon so weit wie möglich vom Lautsprecher entfernt. Dies trägt dazu bei, die Isolation zwischen Lautsprecher und Mikrofon zu erreichen und ermöglicht es Ihnen, die Leistung des Expedition Escape+ zu erhöhen.
- Positionieren Sie das Mikrofon so nah wie möglich an der Schallquelle. Dadurch kann das Mikrofon direkteren Klang aufnehmen und die Eingangsverstärkung des Mikrofons reduzieren.
- Reduzieren Sie den Gesamtpegel des Lautsprechers.

Technische Daten

Ausgangsleistung	50 Watt (Spitzenwert)
Lautsprecher	15,2 cm Woofer + 2,5 cm HF-Treiber
Mikrofoneingang	6,35 mm
Aux-Eingang	3,5 mm
Kabelloser Eingang	USB
<i>Bluetooth</i>	<i>Bluetooth 5.0+BR+EDR+BLE, A2DP</i>
Arbeitsfrequenz	2,402 GHz ~ 2,480 GHz
HF Power	+2dBm
LEVEL Steuerung	Mikrofon, Master
Eingebauter Akku	12V / 2.2AH, wiederaufladbar & versiegelt
Betrieb	Bis zu 20 Stunden unter Betriebsbedingungen
Laden des Akkus	Ca. 5 Stunden für eine einzelne Ladung
AC Eingang	AC 100~240V 50/60Hz
Konstruktion	Polypropylen
Grill	Lochblechrost, pulverbeschichtet
Montage	Integrierter 35mm Mastmontage Anschluss
Betriebstemperatur	-10°C ~ +40°C
Abmessungen	222 mm x 210 mm x 323 mm 8.75" x 8.25" x 12.75"
Gewicht	4,7 kg 10.45 lb

ENGLISH

FRANÇAIS

DEUTSCHE

ESPAÑOL

ITALIANO

Información importante de seguridad



ATENCIÓN
RIESGO DE CHOQUE ELÉCTRICO - NO ABRIR



Este símbolo de relámpago con punta de flecha dentro de un triángulo equilátero tiene por objeto alertar al usuario de la presencia de "tensión peligrosa" no aislada dentro de la carcasa del producto que puede ser de magnitud suficiente para constituir un riesgo de descarga eléctrica.



El signo de exclamación dentro de un triángulo equilátero tiene por objeto alertar al usuario de la presencia de importantes instrucciones de funcionamiento y mantenimiento en la documentación que acompaña al aparato.

ADVERTENCIA: PARA REDUCIR EL RIESGO DE DESCARGA ELÉCTRICA, NO RETIRE LA CUBIERTA (O LA PARTE POSTERIOR) YA QUE NO HAY PIEZAS QUE PUEDAN SER REPARADAS POR EL USUARIO EN SU INTERIOR. REFIERA LAS REPARACIONES A PERSONAL DE SERVICIO CALIFICADO.



Si desea desechar este producto, no lo mezcle con la basura doméstica general. Existe un sistema de recogida selectiva para productos electrónicos usados de acuerdo con la legislación que exige un tratamiento, una recuperación y un reciclaje adecuados.

Los hogares de los 28 Estados miembros de la UE, Suiza y Noruega pueden enviar gratis sus productos electrónicos usados a centros de recogida designados o a un minorista (si compra uno nuevo similar).

Para los países no mencionados anteriormente, póngase en contacto con las autoridades locales para obtener un método correcto de desecho.

De este modo, se asegurará de que su producto desechado se somete al tratamiento, recuperación y reciclaje necesarios y, de este modo, evitará posibles efectos negativos sobre el medioambiente y la salud humana.

La marca y los logotipos *Bluetooth®* son marcas registradas propiedad de Bluetooth SIG, Inc. y cualquier uso de dichas marcas por parte de Samson Technologies es bajo licencia. Otras marcas y nombres comerciales son de sus respectivos propietarios".

Información importante de seguridad

1. Lea estas instrucciones.
2. Conserve estas instrucciones.
3. Preste atención a todas las advertencias.
4. Siga todas las instrucciones.
5. No utilice este aparato cerca del agua.
6. Limpie solo con un paño seco.
7. No bloquee ninguna de las aberturas de ventilación. Instálelo de acuerdo con las instrucciones del fabricante.
8. No lo instale cerca de fuentes de calor como radiadores, rejillas de ventilación, estufas u otros aparatos (incluyendo amplificadores) que produzcan calor.
9. El enchufe polarizado o con conexión a tierra está puesto para su seguridad. No lo anule. Un enchufe polarizado tiene dos clavijas, una más ancha que la otra. Un enchufe con conexión a tierra tiene dos clavijas y una tercera clavija de conexión a tierra. La hoja ancha o la tercera punta se proporcionan para su seguridad. Si el enchufe suministrado no encaja en su tomacorriente, consulte a un electricista para reemplazar el tomacorriente obsoleto.
10. Proteja el cable de alimentación de pisadas o pellizcos, particularmente en los enchufes, receptáculos de conveniencia y en el punto donde salen del aparato.
11. Utilice únicamente los aditamentos/accesorios especificados por el fabricante.
12. Utilice únicamente con el carro, soporte, trípode, soporte o mesa especificados por el fabricante, o vendidos con el aparato. Cuando utilice un carro, tenga cuidado al mover la combinación de carro/aparato para evitar lesiones por vuelco.
13. Desenchufe el aparato durante las tormentas eléctricas o cuando no lo utilice durante períodos prolongados de tiempo.
14. Todas las reparaciones deben ser realizadas por personal cualificado. El servicio es necesario cuando el aparato ha sido dañado de alguna manera, como por ejemplo si el cable de alimentación o el enchufe están dañados, si se ha derramado líquido o si han caído objetos dentro del aparato, si ha estado expuesto a la lluvia o la humedad, si no funciona normalmente o si se ha caído.
15. Este aparato no debe estar expuesto a goteras o salpicaduras de agua y no debe colocarse ningún objeto lleno de líquido, como jarrones, sobre el aparato.
16. Precaución: para evitar descargas eléctricas, haga juego con el enchufe de cuchilla ancha y la ranura ancha completamente insertada.
17. Por favor, mantenga un buen ambiente de ventilación alrededor de toda la unidad.
18. Para evitar lesiones, este aparato debe fijarse firmemente al soporte de acuerdo con las instrucciones de instalación.
19. **ADVERTENCIA:** La batería (batería o baterías o paquete de baterías) no debe exponerse a un calor excesivo como el sol, el fuego o similares.
20. **PRECAUCIÓN:** Peligro de explosión si la batería se cambia incorrectamente. Sustitúyala solo por uno del mismo tipo o equivalente.
21. **ADVERTENCIA:** El enchufe de la red/acoplador de la aplicación se utiliza como dispositivo de desconexión, el dispositivo de desconexión debe permanecer fácilmente operable.
22. El descarte de las baterías debe realizarse teniendo en cuenta los aspectos medioambientales y de acuerdo con los requisitos de la legislación local.
23. No se deben colocar sobre el aparato fuentes de llamas, como velas encendidas.



ENGLISH

FRANÇAIS

DEUTSCHE

ESPAÑOL

ITALIANO

Información importante de seguridad

Aviso de la FCC

1 Este dispositivo cumple con la Parte 15 de las normas de la FCC. El funcionamiento está sujeto a las dos condiciones siguientes:

- (1) Este dispositivo no debe causar interferencias
- (2) Este dispositivo debe aceptar cualquier interferencia recibida, incluyendo interferencias que puedan causar un funcionamiento no deseado.

2 Los cambios o modificaciones no aprobados expresamente por la parte responsable del cumplimiento podrían anular la autoridad del usuario para operar el equipo.

Declaración de la FCC

Este equipo ha sido probado y se ha determinado que cumple con los límites para un dispositivo digital de Clase B, de acuerdo con la Parte 15 de las normas de la FCC. Estos límites están diseñados para proporcionar una protección razonable contra interferencias perjudiciales en una instalación residencial.

Este equipo genera usos y puede irradiar energía de radiofrecuencia y, si no se instala y utiliza de acuerdo con las instrucciones, puede causar interferencias perjudiciales en las comunicaciones de radio. Sin embargo, no hay garantía de que no se produzcan interferencias en una instalación en particular. Si este equipo causa interferencias perjudiciales en la recepción de radio o televisión, lo cual puede determinarse apagando y encendiendo el equipo, se recomienda al usuario que intente corregir la interferencia mediante una o más de las siguientes medidas:

- Reorientar o reubicar la antena receptora.
- Aumente la separación entre el equipo y el receptor.
- Conecte el equipo a un tomacorriente de un circuito diferente al que está conectado el receptor.
- Consulte al distribuidor o a un técnico de radio/TV experimentado para obtener ayuda.

Declaración de advertencia de RF

El dispositivo ha sido evaluado para cumplir con los requisitos generales de exposición a RF. El dispositivo puede ser utilizado en condiciones de exposición portátiles sin restricciones.

Este dispositivo cumple con RSS-310 de Industry Canada. El funcionamiento está sujeto a la condición de que este dispositivo no cause interferencias perjudiciales.

Por la presente, Samson Technologies Corp. declara que esta Expedition Escape+ cumple con los requisitos esenciales y otras disposiciones pertinentes de la Directiva 2014/53/EU. La declaración de conformidad puede consultarse en el sitio web:

http://www.samsontech.com/site_media/support/manuals/Expedition_Escape_Plus_DOC.pdf

Introducción

Gracias por comprar el sistema de sonido portátil a batería Expedition Escape+, con conectividad inalámbrica *Bluetooth*[®], para transmitir audio desde su teléfono inteligente, tableta u ordenador.

Ligero y compacto, el Expedition Escape+ pesa menos de 4,54 kg (10 libras), lo que lo convierte en un excelente complemento para cualquier situación de altavoz móvil. La batería interna proporciona hasta 20 horas de audio con una carga completa. El Expedition Escape+ puede conectarse a una toma de audio continuo.

Ya sea que esté buscando un sistema de sonido para usar al aire libre, en el aula, para karaoke, para presentaciones o para interpretar música en vivo, el Expedition Escape+ proporciona audio portátil de alta calidad en un pequeño paquete con alimentación propia.

Le recomendamos que guarde los siguientes registros como referencia, así como una copia de su recibo de venta.

Número de serie: _____

Fecha de compra: _____

Si tiene alguna pregunta o comentario sobre el sistema PA portátil Escape+ o cualquier otro producto de Samson, no dude en ponerse en contacto con nosotros en **support@samsontech.com**.

Con el cuidado y mantenimiento adecuados, su sistema PA portátil Escape+ funcionará sin problemas durante muchos años. Si su sistema PA portátil Escape+ alguna vez requiere servicio, debe obtener un número de autorización de devolución (RA, por su sigla inglesa) antes de enviar su unidad a Samson. Sin este número, la unidad no será aceptada. Por favor visite **www.samsontech.com/ra** para obtener un número de RA antes de enviar su unidad. Por favor, conserve los materiales de embalaje originales y, si es posible, devuelva la unidad en su caja original. Si su sistema PA portátil Escape+ se compró fuera de los Estados Unidos, póngase en contacto con su distribuidor local.

ENGLISH

FRANÇAIS

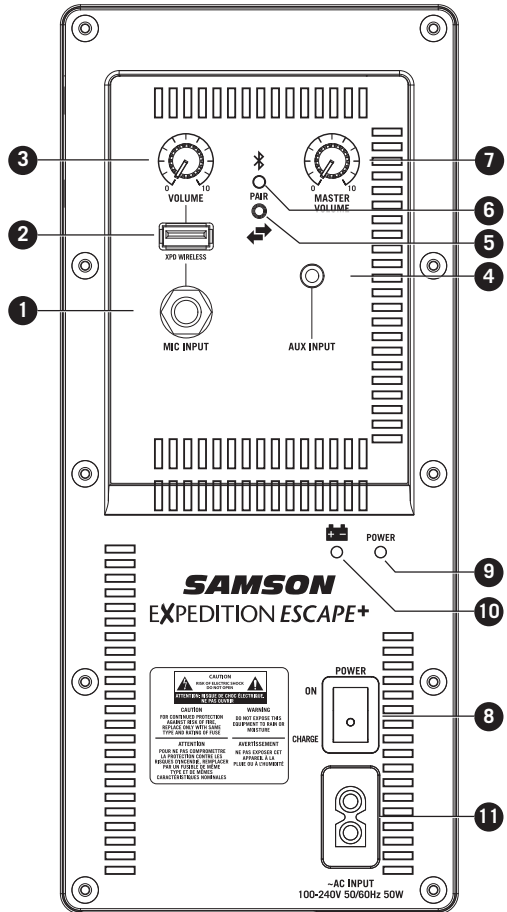
DEUTSCHE

ESPAÑOL

ITALIANO

Controles y conexiones de Escape+

- ENTRADA MIC** - Utilice esta entrada de 6,35 mm (1/4 in) para conectar un micrófono.
- Entrada inalámbrica XPD** - Conecte un receptor USB inalámbrico digital Samson XPD a esta entrada. El receptor inalámbrico recibe su energía del Escape+, por lo que no se necesita una fuente de alimentación adicional.
- MIC VOLUME** - Se utiliza para controlar el nivel del micrófono y las entradas inalámbricas XPD.
- ENTRADA AUX** - Conecte un dispositivo de nivel de línea usando un cable de audio de 3,5 mm (1/8 in).
- Botón de emparejamiento** - Pulse este botón para habilitar el modo detectable para emparejarse con un dispositivo de audio *Bluetooth*.
- Indicador de emparejamiento** - Muestra el estado de *Bluetooth* del sistema Expedition Escape+.
- MASTER VOL** - Se utiliza para controlar el nivel general del sistema de altavoces.
- Interruptor POWER** - Conecta la alimentación principal.
- Indicador POWER** - Se ilumina cuando el interruptor de encendido está en la posición ON.
- Indicador de nivel de batería** - Muestra el estado del nivel de carga de la batería. El indicador se ilumina de color rojo mientras se está cargando y se vuelve de color verde cuando la batería está completamente cargada.
- ENTRADA DE CA** - Conecte aquí el cable de alimentación suministrado.

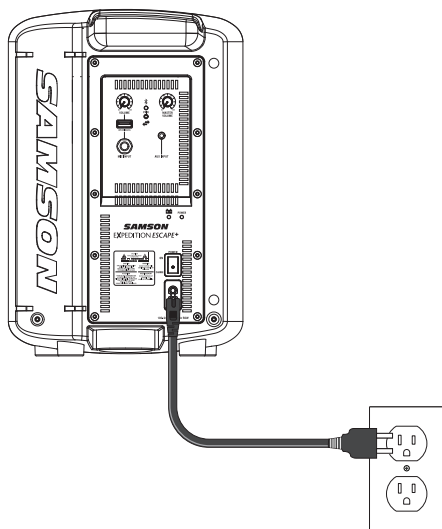


Carga de la batería

El Escape+ tiene una batería interna recargable con capacidad de hasta 20 horas de audio continuo con una carga completa. **Aunque el sistema puede tener alguna carga cuando se saca de la caja por primera vez, se recomienda cargar completamente su Escape+ antes de usar el sistema por primera vez.**

Para cargar la batería:

- Ponga el interruptor de encendido en la posición "OFF".
- Conecte el Expedition Escape+ a un tomacorriente alterno con el adaptador de corriente incluido.
- Mantenga el sistema enchufado hasta que el indicador de alimentación se apague, lo que indica que la batería está completamente cargada.



Si observa que el tiempo de funcionamiento del Escape+ se reduce notablemente, incluso después de cargarlo por completo, debe reemplazar la batería. Póngase en contacto con el servicio de atención al cliente de Samson o con su distribuidor local para obtener una batería de repuesto.



El Escape+ utiliza una batería de celda de gel de plomo-ácido sellada. Cuando no está en uso, la batería se descarga lentamente. Si está planeando no utilizar el Escape+ durante un largo período de tiempo, se recomienda cargar completamente la unidad antes de guardarla.

También es importante cargar la unidad cada seis meses cuando no se utiliza. Esto asegurará una batería saludable y extenderá su vida útil. Si la batería se deja con una carga muy baja durante un período de tiempo prolongado, es posible recargar la batería hasta que esté en condiciones de funcionamiento, pero el tiempo de carga puede tardar hasta 72 horas.

ENGLISH

FRANÇAIS

DEUTSCHE

ESPAÑOL

ITALIANO

Inicio rápido

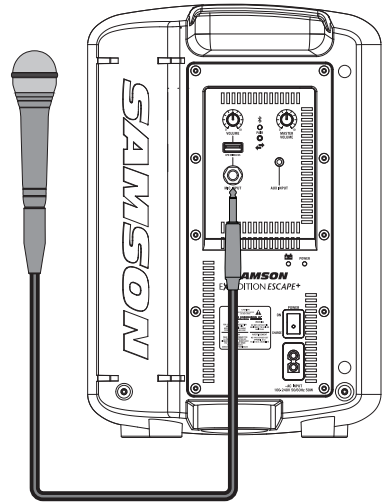
- Coloque el interruptor de encendido Escape+ en la posición OFF y gire completamente todos los controles de NIVEL en sentido contrario a las agujas del reloj a 0.
- Si hay un tomacorriente disponible, conecte el cable de alimentación incluido a la entrada de CA del altavoz y enchúfelo a una toma de corriente.
- Ponga el interruptor de encendido en la posición "OFF".
- Conecte sus fuentes de audio.
- Suba el control MASTER VOL y ajuste los niveles de entrada, siguiendo los pasos que se indican a continuación.

Realizando las conexiones

Entrada de micrófono

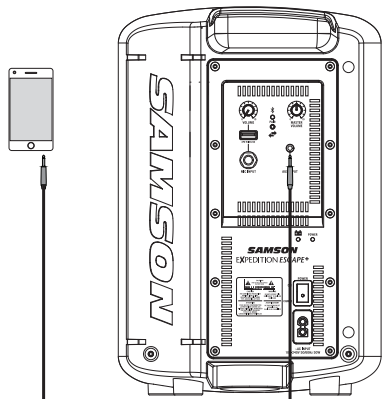
- Conecte un micrófono con un cable de instrumento de 6,35 mm (1/4 in).
- Gire el control MASTER VOL hacia la mitad.
- Mientras habla o escoge en el nivel de ejecución en el micrófono, levante lentamente el control de volumen del canal MIC hasta que haya alcanzado el nivel deseado.

Nota: Si no utiliza la entrada de micrófono, gire el control MIC VOLUME hasta el fondo para evitar cualquier ruido no deseado.



Entrada Auxiliar

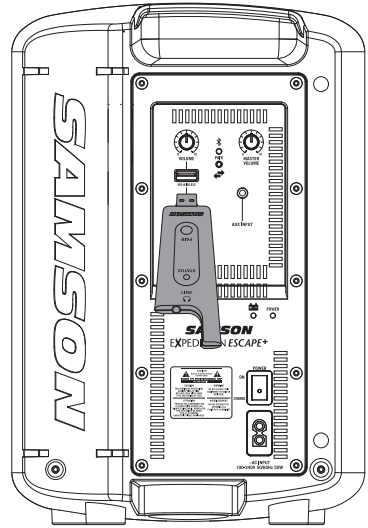
- Conecte un dispositivo de nivel de línea con un cable de 3,5 mm (1/8 in).
- Ajuste el volumen de salida de su dispositivo de audio a su configuración máxima.
- Mientras reproduce música de una fuente de audio de nivel de línea, levante lentamente el control MASTER VOL hasta que haya alcanzado el nivel deseado. **Nota: Si utiliza la entrada de micrófono con un dispositivo de audio auxiliar, utilice el control de volumen del dispositivo de audio externo para equilibrar los niveles de audio.**



Inicio rápido

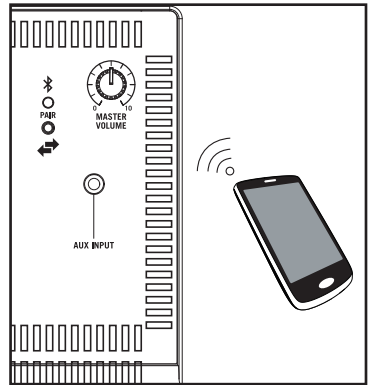
Entrada inalámbrica XPD

- Enchufe el receptor USB XPD en el conector USB inalámbrico XPD.
- Gire la perilla de volumen del micrófono en el Escape+ completamente en sentido contrario a las agujas del reloj a 0.
- Coloque un juego de pilas AA (LR6) nuevas en el portapilas del transmisor, teniendo cuidado de observar las marcas de polaridad, y luego vuelva a colocar la tapa.
- Encienda el transmisor presionando y manteniendo presionado el interruptor de encendido; el LED indicador se iluminará de color ámbar.
- Suba el MASTER VOL hasta la mitad del recorrido.
- Hable o cante en el micrófono a un nivel de rendimiento normal y aumente el control de volumen del micrófono hasta alcanzar el nivel deseado.



Bluetooth®

- Gire el control BLUETOOTH VOLUME hacia abajo en sentido contrario a las agujas del reloj a 0.
- Con el Escape+ y el dispositivo *Bluetooth* encendido, presione el botón PAIR en el panel trasero del Escape+ para que el altavoz sea visible. El indicador de emparejamiento parpadeará lentamente en azul.
- En la configuración de su dispositivo Bluetooth, póngalo en "descubrir" los dispositivos disponibles.
- En la lista de dispositivos Bluetooth, seleccione el dispositivo "Escape+ Plus".
- Si el dispositivo solicita una clave de acceso, introduzca los dígitos 0000 (cuatro ceros) y pulse Aceptar. Algunos dispositivos también pueden pedirle que acepte la conexión.
- El altavoz Escape+ indica que el emparejamiento se ha completado cuando el indicador se vuelve de color azul fijo. Ahora puede transmitir audio desde su dispositivo a los altavoces de Escape+.
- Con el control de volumen del dispositivo *Bluetooth* activado, reproduzca algo de música y levante lentamente el control Escape+ MASTER VOL hasta que haya alcanzado el nivel deseado.



ENGLISH

FRANÇAIS

DEUTSCHE

ESPAÑOL

ITALIANO

Colocación de los altavoces

El Expedition Escape+ ofrece tres opciones de colocación diferentes para su situación específica.

Para una máxima cobertura de sonido, el Expedition Escape+ puede utilizarse con un soporte de altavoz estándar de 35 mm (1 3/8 in). El altavoz debe estar por encima de las cabezas de la audiencia que escucha. Tenga cuidado al colocar el altavoz sobre un soporte, para asegurarse de que esté en una superficie nivelada y estable y de que no se vuelque.

Cuando se usa el altavoz en el suelo, o cuando el altavoz está por debajo del oyente, el Expedition Escape+ presenta una posición de ángulo del monitor para proyectar el sonido hacia arriba, hacia la audiencia.

Para ajustes más pequeños, el altavoz puede colocarse verticalmente sobre una mesa o escritorio.

Tenga cuidado al colocar el Expedition Escape+ a la luz directa del sol durante largos períodos de tiempo, ya que esto podría decolorar o dañar la unidad.

No coloque el altavoz sobre superficies mojadas, ya que puede causar un mal funcionamiento. Si nota condensación en la unidad, seque el altavoz antes de usarlo o guardarlo.



Evite acoples

Los acoples son los molestos aullidos y chillidos que se pueden oír cuando el micrófono capta el sonido del altavoz. El sonido se vuelve a amplificar a través del altavoz y crea un bucle de retroalimentación. Siga estos pasos para minimizar la probabilidad de acoples:

- Evite apuntar el micrófono directamente al altavoz. En general, se recomienda que el micrófono se coloque detrás de la caja del altavoz. Esto utiliza las características direccionales del altavoz y del micrófono a su favor.
- Mantenga el micrófono lo más alejado posible del altavoz. Esto ayudará a lograr el aislamiento entre el altavoz y el micrófono, y le permitirá aumentar la salida del Expedition Escape+.
- Coloque el micrófono lo más cerca posible de la fuente de sonido. Esto permitirá que el micrófono capte un sonido más directo, y le permitirá reducir el control de ganancia de la entrada del micrófono.
- Reduzca el nivel general del altavoz.

Especificaciones

Potencia de salida	50 vatios (pico)
Altavoces	15,24 cm (6 in) + controlador HF de 2,54 cm (1 in)
Entrada de micrófono	6,35 mm (1/4 in)
Entrada Auxiliar	3,5 mm (1/8 in)
Entrada inalámbrica	USB
<i>Bluetooth</i>	<i>Bluetooth 5.0+BR+EDR+BLE, A2DP</i>
Frecuencia de trabajo	2.402GHz ~ 2.480GHz
Potencia RF	+2dBm
Controles de nivel	Micrófono, Master
Batería incorporada	12V / 2.2AH, recargable y sellada
Funcionamiento	Hasta 20 horas sujeto a las condiciones de funcionamiento
Carga de la batería	Aproximadamente 5 horas para una sola carga
Entrada de CA	CA 100~240V 50/60Hz
Construcción	Polipropileno
Parrilla de acero perforado	Parrilla, con recubrimiento de polvo
Receptáculo de montaje	integral de 35 mm (1 3/8 in) para montaje en poste
Temperatura de funcionamiento	-10°C ~ +40°C
Dimensiones	8,75 in x 8,25 in x 12,75 in 222 mm x 210 mm 323 mm
Peso	10,45 lb 4,7 kg

ENGLISH

FRANÇAIS

DEUTSCHE

ESPAÑOL

ITALIANO

Importanti informazioni sulla sicurezza



**ATTENZIONE
RISCHIO DI SCOSSE ELETTRICHE -
NON APRIRE**



Questo simbolo del lampo con la punta a freccia all'interno di un triangolo equilatero avverte l'utente della presenza di una "tensione pericolosa" non isolata all'interno del prodotto che può essere di entità sufficiente a costituire un rischio di scossa elettrica.



Il punto esclamativo all'interno di un triangolo equilatero avverte l'utente della presenza di importanti istruzioni operative e di manutenzione nella documentazione che accompagna l'apparecchio.

AVVERTENZA: PER RIDURRE IL RISCHIO DI SCOSSA ELETTRICA, NON TOGLIERE IL COPERCHIO (O LA PARTE POSTERIORE), IN QUANTO ALL'INTERNO NON VI SONO PARTI RIPARABILI DALL'UTENTE. RIVOLGERSI A PERSONALE DELL'ASSISTENZA QUALIFICATO.

Se si desidera smaltire questo prodotto, non mischiarlo con i rifiuti domestici generici.



Esiste un sistema di raccolta differenziata per i prodotti elettronici usati in conformità alla legislazione che richiede un trattamento, un recupero e un riciclaggio adeguati.


I nuclei familiari dei 28 Stati membri dell'UE, della Svizzera e della Norvegia possono restituire gratuitamente i loro prodotti elettronici usati a centri di raccolta designati o a un rivenditore (se ne viene acquistato uno nuovo simile).

Per i Paesi non menzionati sopra, contattare le autorità locali per conoscere un metodo di smaltimento corretto.

In questo modo, si garantisce che il prodotto smaltito venga sottoposto al necessario trattamento, recupero e riciclaggio, evitando così potenziali effetti negativi sull'ambiente e sulla salute umana.

Il marchio denominativo e i loghi *Bluetooth®* sono marchi registrati di proprietà di Bluetooth SIG, Inc. e qualsiasi uso di tali marchi da parte di Samson Technologies è concesso in licenza. Altri marchi e nomi commerciali sono quelli dei rispettivi proprietari".

Importanti informazioni sulla sicurezza

1. Leggere queste istruzioni.
 2. Conservare queste istruzioni.
 3. Rispettare tutte le avvertenze.
 4. Seguire tutte le istruzioni.
 5. Non utilizzare l'apparecchio vicino all'acqua.
 6. Pulire solo con un panno asciutto.
 7. Non bloccare le aperture di ventilazione. Installare secondo le istruzioni del produttore.
 8. Non installare vicino a fonti di calore quali radiatori, diffusori di aria calda, stufe o altri apparecchi (compresi amplificatori) che producono calore.
 9. Non annullare lo scopo di sicurezza della spina polarizzata o con messa a terra. Una spina polarizzata ha due lame, delle quali una è più larga dell'altra. Una spina con messa a terra ha due lame e un terzo polo di messa a terra. La lama larga o il terzo polo sono forniti per la sicurezza dell'utente. Se la spina in dotazione non si adatta alla propria presa, consultare un elettricista affinché sostituisca la presa obsoleta.
 10. Proteggere il cavo di alimentazione in modo che non venga calpestato o schiacciato, in particolare in corrispondenza delle spine, delle prese e nel punto di uscita dall'apparecchio.
 11. Utilizzare solo accessori specificati dal produttore.
 12. Utilizzare solo con il carrello, il supporto, il treppiede, la staffa o il tavolo specificati dal produttore, o venduti con l'apparecchio. Quando si utilizza un carrello, prestare attenzione quando si sposta la combinazione carrello/apparecchio onde evitare lesioni da ribaltamento.
- 
13. Scollegare l'apparecchio durante i temporali o quando non viene utilizzato per lunghi periodi di tempo.
 14. Per tutti gli interventi di manutenzione, rivolgersi a personale qualificato. L'assistenza è necessaria quando l'apparecchio è stato danneggiato in qualsiasi modo, ad esempio se il cavo di alimentazione o la spina sono stati danneggiati, se è stato versato del liquido o sono caduti oggetti all'interno dell'apparecchio, se questo è stato esposto a pioggia o umidità, se non funziona normalmente o se è caduto.
 15. L'apparecchio non deve essere esposto a gocce o schizzi d'acqua né bisogna appoggiarvi sopra alcun oggetto pieno di liquidi, ad esempio un vaso.
 16. Attenzione - onde evitare scosse elettriche, abbinare la spina a lama larga con lo slot largo completamente inserito.
 17. Mantenere un corretto ambiente di ventilazione intorno all'intera unità.
 18. Onde evitare lesioni, l'apparecchio deve essere saldamente fissato al supporto secondo le istruzioni di installazione.
 19. **AVVERTENZA:** la batteria (batteria o batterie o pacco batterie) non deve essere esposta a calore eccessivo quale sole, fuoco o simili.
 20. **ATTENZIONE:** pericolo di esplosione in caso di sostituzione errata della batteria. Sostituire solo con lo stesso tipo o equivalente.
 21. **AVVERTENZA:** la spina di rete/l'accoppiatore dell'apparecchio si usa come dispositivo di disconnessione, il dispositivo di disconnessione deve rimanere facilmente azionabile.
 22. Lo smaltimento delle batterie deve tenere conto degli aspetti ambientali ed essere conforme ai requisiti di legge locali.
 23. Non collocare sull'apparecchio fonti di fiamme libere, quali candele accese.

ENGLISH

FRANÇAIS

DEUTSCHE

ESPAÑOL

ITALIANO

Importanti informazioni sulla sicurezza

Avviso FCC

1. Questo dispositivo è conforme alla Parte 15 delle norme FCC. Il funzionamento è soggetto alle due condizioni seguenti:
 - (1) Questo dispositivo non deve causare interferenze dannose.
 - (2) Questo dispositivo deve accettare qualsiasi interferenza ricevuta, comprese le interferenze che possono causare un funzionamento indesiderato.
2. Cambiamenti o modifiche non esplicitamente approvati dalla parte responsabile della conformità possono invalidare il diritto dell'utente a utilizzare l'apparecchio.

Dichiarazione FCC

Questo apparecchio è stato testato e trovato conforme ai limiti per un dispositivo digitale di Classe B, in conformità alla Parte 15 delle norme FCC. Questi limiti sono progettati per fornire una ragionevole protezione contro le interferenze dannose in un'installazione residenziale.

Questo apparecchio genera, utilizza e può irradiare energia a radiofrequenza e, se non viene installato e utilizzato secondo le istruzioni, può causare interferenze dannose alle comunicazioni radio. Tuttavia, non vi è alcuna garanzia che non si verifichino interferenze in una installazione specifica. Se questo apparecchio causa interferenze dannose alla ricezione radio o televisiva, che possono essere determinate spegnendo e riaccendendo l'apparecchio, si consiglia all'utente di tentare di correggere l'interferenza mediante una o più delle seguenti misure:

- Riorientare o riposizionare l'antenna ricevente.
- Aumentare la distanza tra l'apparecchio e il ricevitore.
- Collegare l'apparecchio a una presa su un circuito diverso da quello a cui è collegato il ricevitore.
- Consultare il rivenditore o un tecnico radio/TV esperto per ricevere assistenza.

Dichiarazione di avvertimento RF

Il dispositivo è stato valutato per soddisfare i requisiti generali di esposizione alle radiofrequenze. Il dispositivo può essere utilizzato in condizioni di esposizione portatile senza limitazioni.

Questo dispositivo è conforme all'RSS-310 di Industry Canada. Il funzionamento è soggetto alla condizione che questo dispositivo non provochi interferenze dannose.

Con la presente, Samson Technologies Corp. dichiara che questo Expedition Escape+ è conforme ai requisiti essenziali e alle altre disposizioni pertinenti della Direttiva 2014/53/UE. La dichiarazione di conformità può essere consultata al seguente indirizzo:

http://www.samsontech.com/site_media/support/manuals/Expedition_Escape_Plus_DOC.pdf

Introduzione

Grazie per aver acquistato il sistema audio portatile Expedition Escape+ alimentato a batteria, dotato di connettività *Bluetooth*[®] wireless, per trasmettere l'audio in streaming dal proprio smartphone, tablet o computer.

Leggero e compatto, Expedition Escape+ pesa meno di 10 libbre, il che lo rende un eccellente complemento a qualsiasi situazione di diffusori mobili. La batteria interna fornisce fino a 20 ore di audio con una carica completa. L'Expedition Escape+ può essere collegato a una presa per l'audio continuo.

Che si stia cercando un sistema audio da utilizzare all'aperto, in classe, per il karaoke, per presentazioni o per eseguire musica dal vivo, l'Expedition Escape+ offre audio portatile di alta qualità in un piccolo pacchetto autoalimentato.

Si consiglia di conservare le seguenti registrazioni di riferimento, nonché una copia della ricevuta di vendita.

Numero di serie: _____

Data di acquisto: _____

In caso di domande o commenti sul sistema PA portatile Escape+ o su qualsiasi altro prodotto Samson, contattarci all'indirizzo **support@samsontech.com**.

Con la cura e la manutenzione adeguate, il sistema PA portatile Escape+ funzionerà senza problemi per molti anni. Se il sistema portatile Escape+ Portable PA dovesse mai richiedere interventi di manutenzione, è necessario ottenere un numero di autorizzazione alla restituzione (RA) prima di spedire l'unità a Samson. Senza questo numero, l'unità non sarà accettata. Visitare il sito **www.samsontech.com/ra** per ottenere un numero RA prima della spedizione dell'unità. Conservare i materiali di imballaggio originali e, se possibile, restituire l'unità nella confezione originale. Se il sistema portatile Escape+ Portable PA è stato acquistato al di fuori degli Stati Uniti, contattare il distributore locale.

ENGLISH

FRANÇAIS

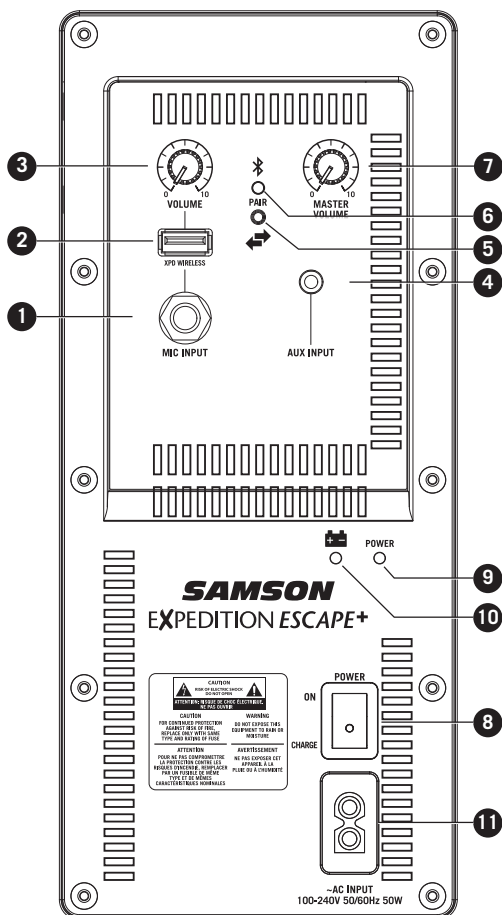
DEUTSCHE

ESPAÑOL

ITALIANO

Controlli e connessioni dell'Escape+

- MIC INPUT** - Usare questo ingresso da 1/4" per collegare un microfono.
- Ingresso XPD WIRELESS** - Collegare a questo ingresso un ricevitore USB digitale wireless Samson XPD. Il ricevitore wireless riceve l'alimentazione dall'Escape+, quindi non è necessaria alcuna alimentazione aggiuntiva.
- MIC VOLUME** - Utilizzato per controllare il livello del microfono e degli ingressi wireless XPD.
- AUX INPUT** - Collegare un dispositivo di livello di linea utilizzando un cavo audio da 1/8" (3,5 mm).
- Pulsante di accoppiamento** - Premere questo pulsante per attivare la modalità rilevabile per l'accoppiamento con un dispositivo audio *Bluetooth*.
- Indicatore di accoppiamento: visualizza lo stato *Bluetooth* del sistema Expedition Escape+.**
- MASTER VOL** - Utilizzato per controllare il livello complessivo del sistema di diffusori.
- Interruttore POWER** - Accende l'alimentazione principale.
- Spia POWER** - Si accende in verde quando l'interruttore di alimentazione è in posizione ON.
- Spia del livello di carica della batteria** - Visualizza lo stato del livello di carica della batteria. La spia si accende in rosso durante la carica e diventa verde quando la batteria è completamente carica.
- AC INPUT** - Collegare qui il cavo di alimentazione in dotazione.

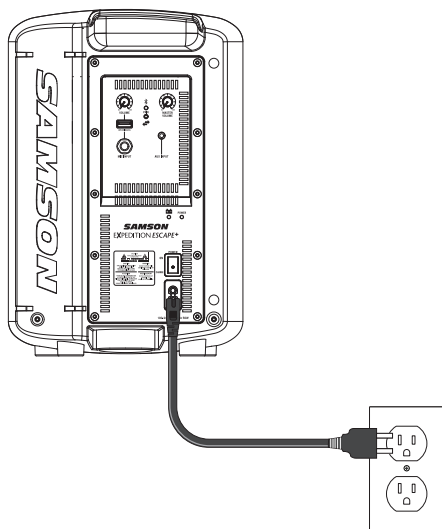


Ricarica della batteria

L'Escape+ ha una batteria interna ricaricabile in grado di fornire fino a 20 ore di audio con una carica completa. **Anche se il sistema può avere una certa carica quando viene estratto dalla confezione, si raccomanda di caricare completamente l'Escape+ prima di utilizzarlo.**

Per ricaricare la batteria:

- Portare l'interruttore di alimentazione in posizione "OFF".
- Collegare l'Expedition Escape+ a una presa di corrente CA utilizzando l'adattatore di alimentazione incluso.
- Tenere il sistema collegato fino a quando la spia di alimentazione si spegne, segnalando che la batteria è completamente carica.



Se si nota che il tempo di funzionamento dell'Escape+ si riduce notevolmente, anche dopo una carica completa, sostituire la batteria. Contattare il servizio clienti Samson o il distributore locale per ottenere una batteria sostitutiva.



L'Escape+ utilizza una batteria sigillata al piombo-acido al gel. Quando non viene utilizzata, la batteria si autscarica lentamente. Se si prevede di non utilizzare l'Escape+ per un lungo periodo di tempo, si consiglia di caricare completamente l'unità prima di riporla.

È inoltre importante caricare l'unità ogni sei mesi quando non viene utilizzata. In questo modo, si garantisce una batteria in buone condizioni e se ne prolunga la durata. Se la batteria viene lasciata con una carica molto bassa per un lungo periodo di tempo, è possibile ricaricarla in condizioni di funzionamento, ma il tempo di carica può richiedere fino a 72 ore.

ENGLISH

FRANÇAIS

DEUTSCHE

ESPAÑOL

ITALIANO

Avvio rapido

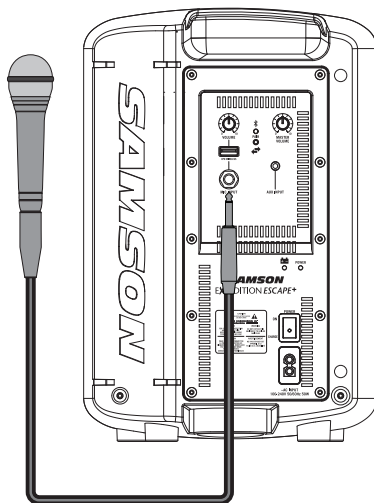
- Portare l'interruttore di alimentazione dell'Escape+ in posizione OFF e ruotare completamente tutti i controlli LEVEL in senso antiorario su 0.
- Se è disponibile una presa di corrente, collegare il cavo di alimentazione incluso all'ingresso CA del diffusore e inserirlo in una presa elettrica.
- Portare l'interruttore di alimentazione dell'Escape+ in posizione ON.
- Collegare le sorgenti audio.
- Ruotare il controllo MASTER VOL verso l'alto e impostare i livelli di ingresso, in base alla procedura seguente.

Effettuare i collegamenti

Ingresso microfono

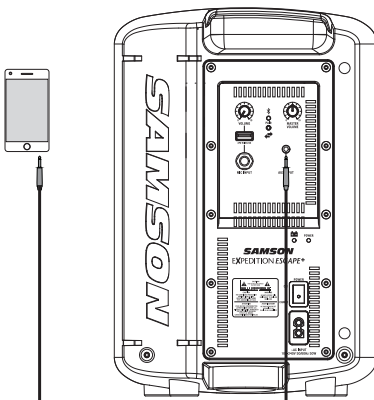
- Collegare un microfono utilizzando un cavo per strumenti da 1/4".
- Ruotare il controllo MASTER VOL circa a metà strada verso l'alto.
- Mentre si parla o si sceglie il livello delle prestazioni nel microfono, alzare lentamente il controllo MIC VOLUME del canale fino a raggiungere il livello desiderato.

NOTA: se non si utilizza l'ingresso Mic Input, abbassare completamente il controllo MIC VOLUME per evitare qualsiasi rumore indesiderato.



Ingresso Aux

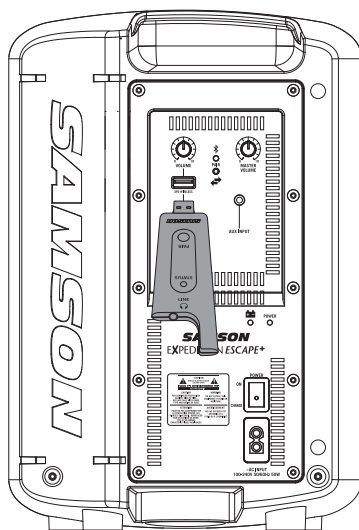
- Collegare un dispositivo di livello di linea utilizzando un cavo audio da 1/8" (3,5 mm).
- Impostare il volume di uscita del dispositivo audio sulla sua impostazione massima.
- Mentre si riproduce musica da una sorgente audio di livello di linea, alzare lentamente il controllo MASTER VOL del canale fino a raggiungere il livello desiderato. **NOTA: se si utilizza l'ingresso Mic Input con un dispositivo audio Aux, utilizzare il controllo del volume del dispositivo audio esterno per bilanciare i livelli audio.**



Avvio rapido

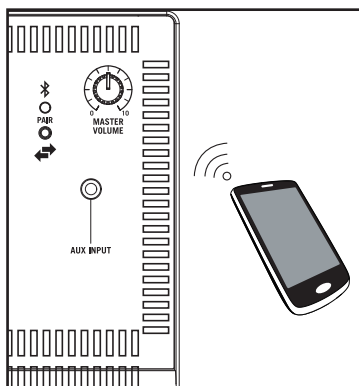
Ingresso wireless XPD

- Inserire il ricevitore XPD USB nella presa XPD Wireless USB.
- Ruotare la manopola MIC Volume dell'Escape+ completamente in senso antiorario su 0.
- Inserire un nuovo set di batterie AA (LR6) nel portabatterie del trasmettitore, facendo attenzione a rispettare i segni di polarità, quindi rimontare il coperchio.
- Accendere il trasmettitore premendo e tenendo premuto l'interruttore di alimentazione; il LED della spia si illuminerà di colore ambrato.
- Aumentare il MASTER VOL circa a metà strada verso l'alto.
- Parlare o cantare nel microfono a un livello di prestazioni normale e alzare il controllo del volume del microfono fino a raggiungere il livello desiderato.



Bluetooth®

- Ruotare il controllo BLUETOOTH VOLUME verso il basso in senso antiorario fino a 0.
- Con Escape+ e il dispositivo Bluetooth acceso; premere il pulsante PAIR sul pannello posteriore dell'Escape+ per rendere il diffusore rilevabile. La spia di accoppiamento lampeggia lentamente in blu.
- Nelle impostazioni del dispositivo Bluetooth, impostarlo per "scoprire" i dispositivi disponibili.
- Dall'elenco dei dispositivi Bluetooth, selezionare il dispositivo "Escape+ Plus".
- Se il dispositivo richiede una chiave di accesso, immettere le cifre 0000 (quattro zeri) e premere OK. Alcuni dispositivi possono anche chiedere di accettare la connessione.
- Il diffusore dell'Escape+ indica che l'accoppiamento è completo quando la spia diventa blu fissa. Ora, è possibile trasmettere in streaming l'audio dal dispositivo ai diffusori dell'Escape+.
- Con il controllo del volume del dispositivo Bluetooth alzato, riprodurre un po' di musica e alzare lentamente il controllo MASTER VOL dell'Escape+ fino a raggiungere il livello desiderato.



ENGLISH

FRANÇAIS

DEUTSCHE

ESPAÑOL

ITALIANO

Posizionamento dei diffusori

L'Expedition Escape+ offre tre diverse opzioni di posizionamento per la propria situazione specifica.

Per ottenere la massima copertura audio, l'Expedition Escape+ può essere utilizzato con un supporto per diffusori standard da 1 3/8". Il diffusore deve essere sollevato sopra le teste del pubblico che ascolta. Prestare attenzione quando si posiziona il diffusore su un supporto, per assicurarsi che sia su una superficie piana e stabile e che non si ribalti.

Quando si usa il diffusore sul pavimento, o quando il diffusore è sotto l'ascoltatore, l'Expedition Escape+ dispone di un angolo di monitoraggio per proiettare il suono verso l'alto, verso il pubblico.

Per ambienti più piccoli, il diffusore può essere posizionato verticalmente su un tavolo o una scrivania.

Prestare attenzione quando si colloca l'Expedition Escape+ alla luce diretta del sole per lunghi periodi di tempo, in quanto ciò potrebbe scolorire o danneggiare l'unità.

Non collocare il diffusore su superfici bagnate, in quanto ciò può causare malfunzionamenti. Se si nota della condensa sull'unità, asciugare il diffusore prima di utilizzarlo o conservarlo.



Evitare il feedback

Il feedback è il fastidioso ululato e lo stridulo che si sente quando il microfono capta il suono dal diffusore. Il suono viene poi ri-amplificato nuovamente attraverso il diffusore, creando un loop di feedback. Seguire questi passaggi per ridurre al minimo la probabilità di feedback:

- Evitare di puntare il microfono direttamente verso il diffusore. In generale, si consiglia di posizionare il microfono dietro il contenitore del diffusore. In questo modo, si sfruttano a proprio vantaggio le caratteristiche direzionali del diffusore e del microfono.
- Tenere il microfono il più lontano possibile dal diffusore. Questo aiuterà a raggiungere l'isolamento tra il diffusore e il microfono, e permetterà di aumentare l'uscita dell'Expedition Escape+.
- Posizionare il microfono il più vicino possibile alla sorgente sonora. Questo permetterà al microfono di captare un suono più diretto e di ridurre il controllo del guadagno d'ingresso del microfono.
- Ridurre il livello complessivo del diffusore.

Specifiche

Potenza di uscita	50 watt (picco)
Diffusori	Woofer da 6" + 1" Driver HF
Ingresso microfono	1/4"
Ingresso Aux	1/8".
Ingresso wireless	USB
<i>Bluetooth</i>	<i>Bluetooth 5.0+BR+EDR+BLE, A2DP</i>
Frequenza di funzionamento	2.402GHz ~ 2.480GHz
Potenza RF	+2dBm
Controlli LEVEL	Mic, Master
Batteria incorporata	12V/2,2AH, ricaricabile e sigillata
Funzionamento	Fino a 20 ore a seconda delle condizioni operative
Ricarica della batteria	Circa 5 ore per una singola carica
Ingresso CA	100~240V CA 50/60Hz
Costruzione	Polipropilene
Griglia	Griglia forata in acciaio, verniciata a polvere
Montaggio	attacco per montaggio su palo da 1 3/8" integrale
Temperatura di funzionamento	-10°C ~ +40°C
Dimensioni	8,75" x 8,25" x 12,75" 222 mm x 210 mm x 323 mm
Peso	10,45 libbre 4,7 kg

ENGLISH

FRANÇAIS

DEUTSCHE

ESPAÑOL

ITALIANO

**Having Trouble with your Expedition Escape+?
We can help!**



**CONTACT OUR SUPPORT TEAM: support@samsontech.com
Our experts can help you resolve any issues.**

Follow us:



@samson



@samsontech



@samson_technologies

Samson Technologies Corp.
278-B Duffy Ave
Hicksville, New York 11801
Phone: 1-800-3-SAMSON (1-800-372-6766)
Fax: 631-784-2201
www.samsontech.com