

SPECIFICATIONS

PVX™ 12



(Axis of the vertical main polar lobe is angled down 10°, resulting in the angular pattern with respect to straight ahead being +15, -35°)

Transducer Complement:
 Heavy-duty 12" woofer with 2 3/8" voice coil & 50 oz. magnet
 RX™14 1.4" titanium diaphragm dynamic compression driver

Box Tuning Frequency:
 62 Hz

Crossover Frequency (internal passive):
 2.8 kHz

Impedance (Z):
 Nominal: 8.0 Ω
 Minimum: 6.7 Ω

Input Connections:
 One four-pin twist-lock connector paralleled with a 1/4" phone jack

Enclosure Materials & Finish:
 Black ABS plastic with textured surface, black powder-coated perforated grille.

▲ Mounting provisions:
 Unit has two sets of two M10 inserts, one pair on the top, and one pair on the bottom. Additional mounting points are a set of four M8 inserts on the top, and a set of four on the right side in the handle recess, and a set of four on the bottom, which use the Peavey VersaMount™ 70+ mounting bracket. Four rubber feet provide vibration free floor or stage use, and a molded-in stand mounting cup is on the bottom.

Frequency Range, 1 meter on-axis, swept-sine in half space environment:

48 Hz to 21 kHz

Frequency Response, 1 meter on-axis, swept-sine in anechoic environment:

60 Hz to 20 kHz (±3 dB)

Usable Low Frequency limit (-10 dB point anechoic):

51 Hz

Power Handling:
 Power Rating (program): 400W

Peak Power Capacity (peak):
 800W

Sound Pressure Level, 1 Watt, 1 meter in anechoic environment:
 96 dB SPL, (2.83V input)

Maximum Sound Pressure Level (1 meter):
 119 dB SPL continuous
 125 dB SPL peak

Radiation Angle measured at -6dB point of polar response:
 Nominal: 100° horizontal X 50° vertical



SPECIFICATIONS PVX™ 12

Dimensions (H x W x D):

Front:

24.50 in. x 16.10 in. x 15.00 in.
622 mm x 409 mm x 381 mm

Rear:

22.75 in. x 8.75 in. x 15.00 in.
578 mm x 222 mm x 381 mm

Net Weight:

37 Lbs. (16.8 kg)

Features

- Two-way sound reinforcement enclosure
- 12" heavy-duty woofer with 2 3/8" voice coil & 50 oz. magnet
- RX 14 compression driver, with 1.4 inch titanium diaphragm
- 400W program/800W peak power handling
- Patented Quadratic Throat Waveguide™ technology, 100 by 50 degree coverage
- Asymmetrical horn aims the sound down 10°, at the audience, not over their heads
- Crossover network for driver protection and EQ
- High frequency driver protection
- Durable plastic injection-molded trapezoidal enclosure
- Extra angled section on right side allows floor monitor use
- Full-coverage heavy-duty perforated steel grilles, with powder coat finish
- Pole mount molded-in
- Top, bottom and right side flying point inserts

Description

The PVX™12 is a two-way sound reinforcement system based on a heavy-duty 12" woofer and a RX™14 titanium diaphragm dynamic compression driver mounted on a 100 by 50 degree coverage Quadratic Throat Waveguide™. It's sleek modern appearance coupled with excellent performance offer an outstanding package.

The lightweight yet rugged injection-molded plastic enclosure with molded-in stand mount cup facilitates portable use for live music or PA sound. The trapezoidal cabinet has three handles for ease of portability, and an extra

45-degree angled section on the right side to allow use as a floor monitor. Five sets of flying/mounting points, two on the top, two on the bottom, and one on the side, with a total of 16 cabinet inserts, provide for the ultimate in installation flexibility. A black powder coated perforated steel grille provides driver protection and a professional appearance.

The heavy-duty 12" woofer has a 2 3/8" voice coil diameter, and a 50 oz. magnet for 200 watts continuous worth of chest-pounding bass. The RX 14 compression driver tweeter is coupled to a Quadratic Throat constant directivity waveguide, covered under US patent #6,059,069 with smooth, even response, low distortion and good high frequency dispersion. This horn has an asymmetrical vertical polar response, aiming the main energy lobe down 10°, so it is aimed at the audience, instead of over their heads. This helps reduce ceiling reflections for greater clarity and gain before feedback.

The PVX 12 speaker system is rated at 400W program power handling, and the full crossover network includes high voltage film capacitors, high current inductors, and high frequency driver protection for clear punchy sound, and excellent long-term reliability. A 4-pin twist-lock connector and a 1/4" phone jack input make hook-up a breeze.

The cabinet of the PVX 12 speaker system has multiple mounting fly points, providing outstanding versatility in permanent install use. A pair of M10 inserts is molded-in on the top, and a pair on the bottom, and a set of four M8 inserts is available on the top, on the bottom, and on the right side in the handle recess. This is a total of 16 mounting inserts in all. Most of these inserts have substantial retaining hardware on the inside of the plastic cabinet, so that the insert would have to pull out an entire chunk of the cabinet to come free, providing a more reliable and safe mode of mounting the cabinet.

IMPORTANT SAFETY INFORMATION FOR THE MOUNTING AND FLYING OF THE PEAVEY PVX 12

- ▲ CAUTION: Before attempting to suspend this speaker, consult a certified structural engineer. Speaker can fall from improper suspension, resulting in serious injury, death, and property damage. Other enclosures may NOT be suspended below one, nor should additional weight be suspended from one of these units. Use only the correct mating hardware. All associated rigging is the responsibility of others.

Note: Consult Specification sheet for rigging and suspension information

See: http://peavey.com/flying_hardware/

ALWAYS USE PROPER GRADE HARDWARE

This Peavey loudspeaker should be suspended overhead only in accordance with the procedures and limitations specified in the User's Manual and possible manual update notices. This system should be suspended with certified rigging hardware by an authorized rigging professional and in compliance with local, state and federal suspension ordinances.

Maximum enclosure angle from vertical hang is 30°.

Always use a suitable safety chain or wire rope attached to an unused group of fly points, and firmly attached to a suitable structural member as indicated by a certified structural engineer.

The recommended range of torque for the mounting bolts is 3.5 to 4.0 foot-lbs. (4.75 to 5.42 N-m). DO NOT OVERTIGHTEN! If an insert spins free, it has been damaged, and the cabinet can not be safely flown from that set of inserts!

Never transport the cabinet while mounted on an array bracket or other mounting bracket, this may unduly stress the mounting inserts.

The use of threadlocker (blue type/medium strength) on the mounting bolts is recommended, as are the appropriate lockwashers, to insure

SPECIFICATIONS PVX™ 12

that the mounting hardware will not vibrate loose over time.

INSPECT RIGGING ANNUALLY!

GROUPING OF INSERT SETS

Group A

A set of two M10 inserts on the top, designed to hang the cabinet using the proper eyebolts.

Group B

A set of two M10 inserts on the bottom, designed to hang the cabinet using the proper eyebolts.

Group C

A set of four M8 inserts on the top, designed to be used with the Peavey Versamount 70+ mounting bracket.

Group D

A set of four M8 inserts on the right side, designed to be used with the Peavey Versamount 70+ mounting bracket.

Group E

A set of four M8 inserts on the bottom, designed to be used with the Peavey Versamount 70+ mounting bracket.

For Group A and B, always use both inserts as a pair; NEVER use just one insert to fly a cabinet!

For Group C, D and E, Always use all four inserts of a given group as a set; NEVER use just one insert to fly a cabinet! The four insert groupings are meant to have all four inserts used at once within a group.

Group E should only be used with the Versamount 70+ oriented beneath the cabinet, and at an angle less than 30° from vertical.

▲ SPECIFICATIONS FOR INSERT MOUNTING HARDWARE

Group A and Group B should use an M10 forged steel shoulder-type lifting eyebolt, which meets the requirements of DIN 580 or ASTM A489. They should only be used in pairs, and in conjunction with the rear most pair of M8 inserts on the same surface as a pull-back/aiming adjustment, using M8 eyebolts of a similar specification. The length of

the threaded shank on the eyebolts should not exceed 3 / 4" (approx. 20 mm), so that it does not bottom out in the insert. Thread pitch: 1.5 mm per thread

Group C and D should use an M8, grade 8.8 or better, 1.25 mm per thread, metric bolt, that does not penetrate the cabinet past the cabinet surface more than 3 / 4" (approx. 20 mm). When using a Peavey Versamount 70+ mounting bracket and lock washer, the length of the bolt should not exceed 1.125" (approx. 30 mm).

Group E should use an M8, grade 8.8 or better, 1.25 mm per thread, metric bolt, that does not penetrate the cabinet past the cabinet surface more than 0.472" (12 mm). When using a Peavey Versamount 70+ mounting bracket and lock washer, the length of the bolt should not exceed 3/4" (approx. 20 mm).

▲ WARNING! (note to structural engineer)

The thread insertion depth past the surface of the cabinet of the end of the mounting bolt should not be more than 0.787" (20 mm) for insert groups A, B, C and D, and not more than 0.472" (12 mm) for Group E.

If these thread insertion depths are exceeded, then the inserts may be damaged or unseated from the cabinet, severely compromising the mounting integrity of the cabinet!

For maximum mounting strength, safety and reliability, the bolt threads should engage at least 10 mm of depth for Group A and B, and at least 8 mm of depth for groups C, D and E.

Use of the PVX™ 12 with a Subwoofer Pole Tunnel

The built-in stand mount cup allows use with the Peavey SP 118 Sub and the accessory pole that it is designed to use, Peavey part #00326530.

The pole used is 51-3/4" long and has a nominal diameter of 1-3/8".

Always be sure to place the subwoofer used in this manner on a

flat, level and stable surface.

Use of the PVX 12 with a Speaker Stand

The PVX 12 has a stand mount cup molded-in so that the system can be stand mounted on a standard 1 3/8" (36mm) diameter stand pole.

When using stands or poles, be sure to follow these precautions:

Check the stand or pole specs to make sure that it can support the weight of the PVX 12 (37 lbs./16.8 kg), and observe all safety precautions stated by the stand manufacturer, including the maximum height the stand is rated for.

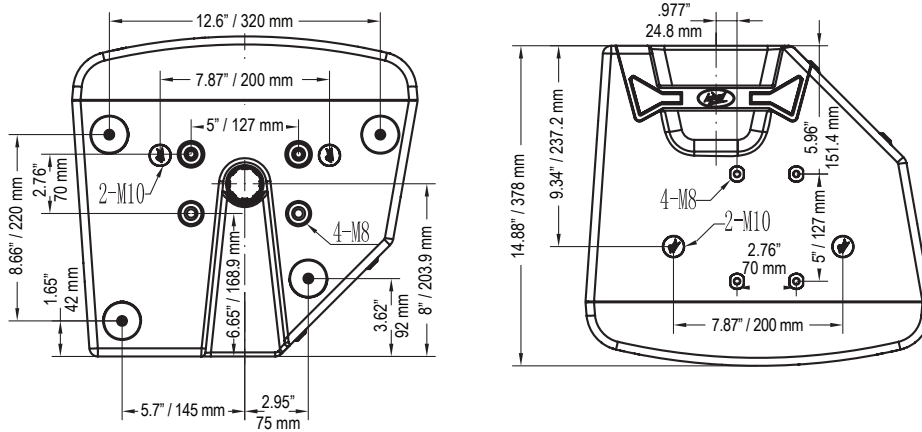
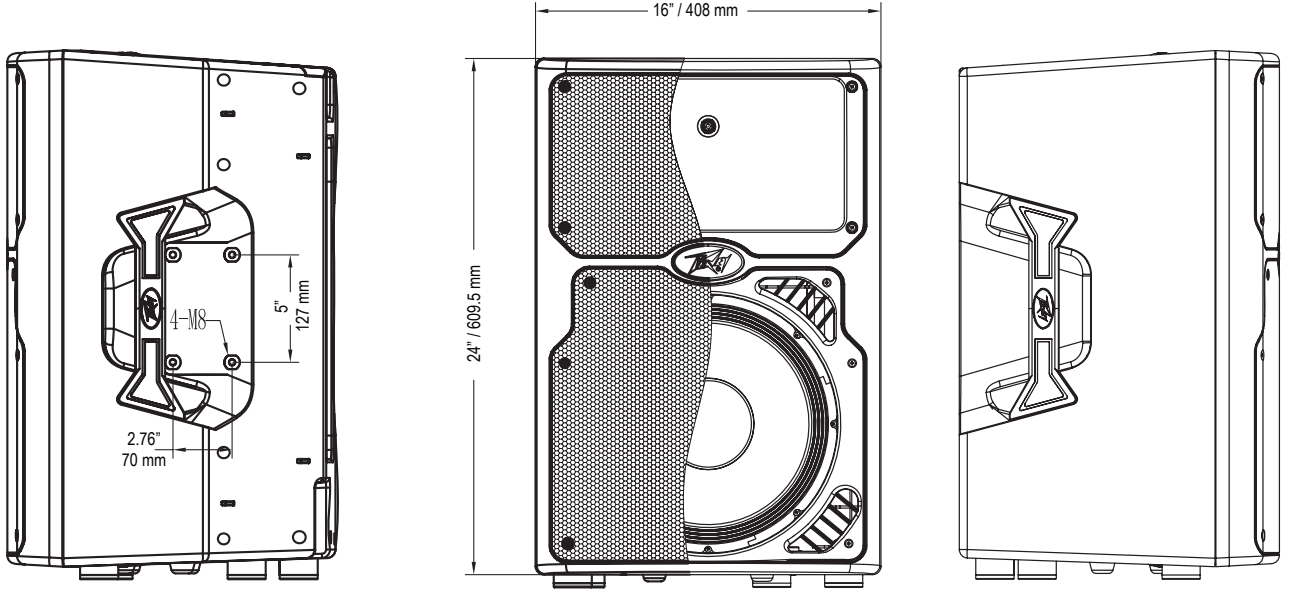
Always place the stand on a flat, level and stable surface, and be sure to fully extend the stand legs as per the stand manufacturer's instructions.

Try to make sure that the stand legs are oriented for the least danger of tripping to those in the vicinity of the stand. Never block a doorway or hallway with the legs of a stand.

Try to route cables so that people will not trip over them, or tip the speaker over. Use of duct tape, cable channels or guards, or other appropriate tie-down/cover-up devices should be carefully considered and implemented.

When installing or de-installing the speaker on the stand, it is a good practice to have a helper if possible, it can be hard to "thread the needle" and mate the stand cup to the stand pole while holding the PVX 12 speaker system at arm's length. It is also helpful if someone holds the speaker stand and pole down while the PVX 12 is removed from the stand pole, this prevents the PVX 12 from pulling the pole up with it.

When using stands outdoors, never attach banners or flags to the stands or the PVX 12 speaker system, strong winds may cause the speaker to blow over. If there is a possibility of windy conditions, then it may be prudent to consider weighting or locking down the stand legs to prevent the PVX 12 speaker system from being blown over.



www.peavey.com

Warranty registration and information for U.S. customers available online at www.peavey.com/warranty or use the QR tag below



Features and specifications subject to change without notice.

Peavey Electronics Corporation 5022 Hartley Peavey Drive Meridian, MS 39305 (601) 483-5365 FAX (601) 486-1278



Logo referenced in Directive 2002/96/EC Annex IV (OJ(L)37/38,13.02.03 and defined in EN 50419: 2005
The bar is the symbol for marking of new waste and is applied only to equipment manufactured after 13 August 2005